

MENEGOTTI PARTS LIST

MORTAR MIXER

9 CuFt

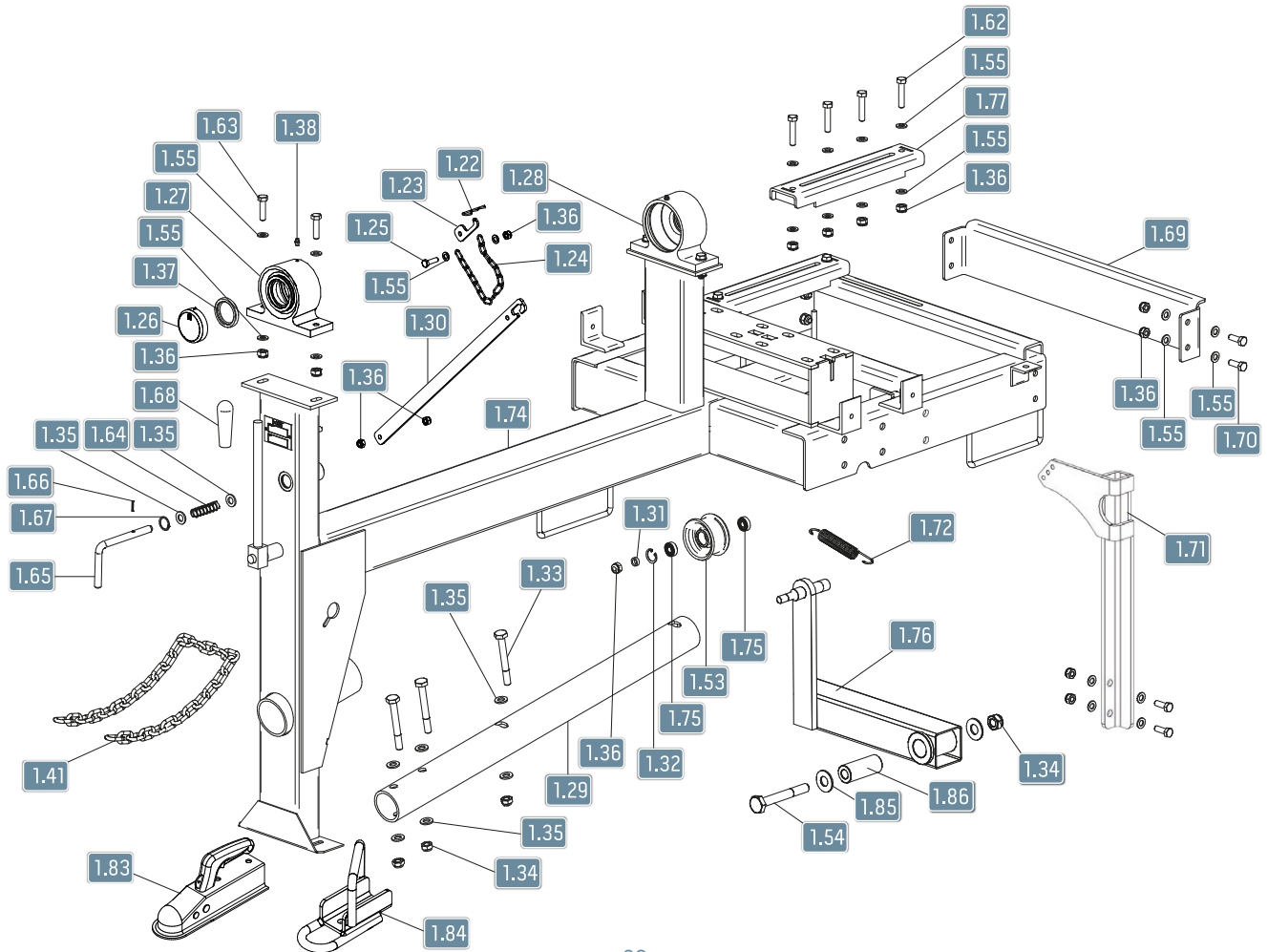
7 CuFt



Illustrative image.

MENEGOTTI
NORTH AMERICA 

Column and Chassis



Column and Chassis

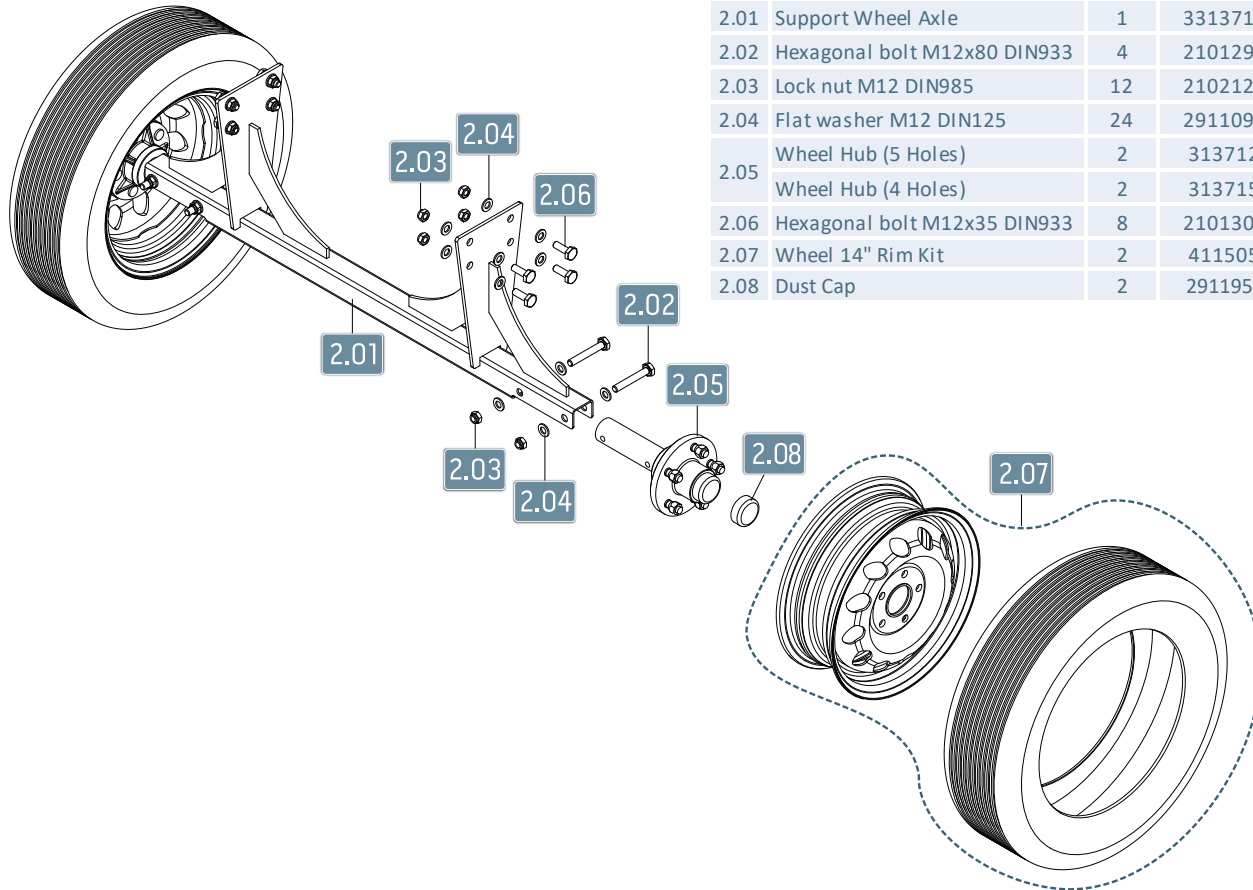
NO.	DESCRIPTION	QTY.	CODE	DRAWING
1.22	Clamp R 3X67 ZNAM	1	29750041	29750041
1.23	Rod lock	1	4137199	4137199
1.24	Long link chain (250 mm)	1	22060353	-
1.25	Hex. Bolt M10x35 mm	1	21012886	-
1.26	Closed plastic cover 120/150L	1	24110103	4122036
1.27	Housing bearing (front)	1	3116034	3116034
1.28	Housing bearing (back)	1	31090255	3116026
1.29	Tow Bar	1	4137179	4137179
1.30	Grid's articulating bar	1	29121343	4105022
1.31	Separator	1	29121344	4105031
1.32	Circlip for shaft I-26	1	21060221	-
1.33	Bolt M12x100mm DIN931	3	21012741	-
1.34	Lock Nut M12x1,75 DIN985	12	21021207	-
1.35	Flat Washer M12 DIN125	28	29110907	-
1.36	Lock Nut M10 DIN985	18	21021206	-
1.37	Seal Ring BR-00880 Ø56x40x8mm	2	24010105	24010105
1.38	Grease fitting M6 DIN 71412	2	24040305	-
1.41	Chain (2,6M) 1/4"	1	22060303	-
1.53	Pulley	1	31080050	4105032
1.54	Bolt M12x90 mm	1	21010140	-
1.55	Flat Washer M10 DIN 125	32	21030676	-
1.62	Bolt M10x50 DIN 933	8	29110982	-

NO.	DESCRIPTION	QTY.	CODE	DRAWING
1.63	Bolt M10x40 DIN 933	4	21012720	-
1.64	Compression spring	1	29751849	4122575
1.65	Fixing pin	1	4137159	4137159
1.66	Heavy Elastic Pin 5 x 32	1	21040112	-
1.67	Elastics ring I-38	1	21060222	-
1.68	Handle grip	1	27020110	4138020
1.69	Back plate	1	3137152	3137152
1.70	Bolt M10x30 mm DIN 933	6	21012816	-
1.71	Spring support	1	3137176	3137176
1.72	Spring	1	4122534	4122534
1.74	Chassis Assembly 9 CuFt	1	-	2125019
	Chassis Assembly 7 CuFt	1	-	2125020
1.75	Bearing 6000ZZ	2	22020201	-
1.76	Stretcher Arm	1	3137134	3137134
1.77	Engine support	2	4137167	4137167
1.83	Trailer Coupling 2.1/2"	1	3122537	-
*1.84	Pintle Hitch	1	3137173	-
1.85	Flat Washer 1/2"	2	21030250	-
1.86	Internal Bushing	1	4137211	4137211

NO.	DESCRIPTION	QTY.	CODE	DRAWING
KIT-1	Stretcher Arm with Pulley - Nos. - 1.76, 1.53, 1.75 1.31 1.32 1.36	1	3137170	3137170

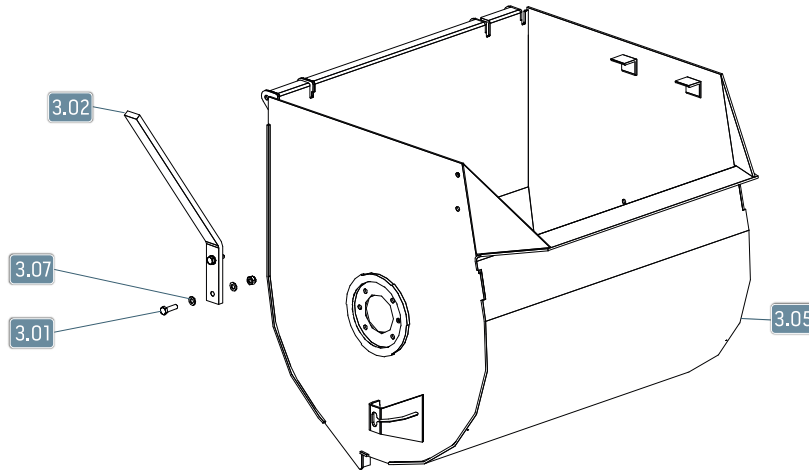
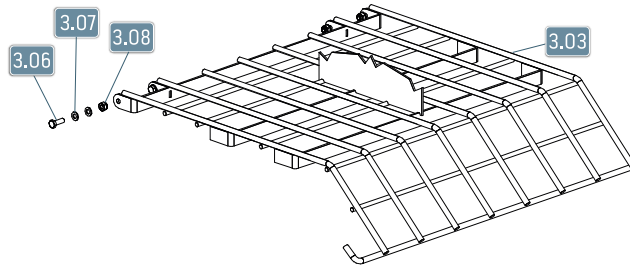
**Optional parts.*

Wheel 14" Rim Kit



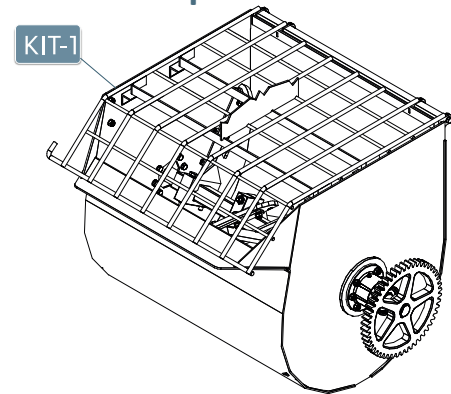
NO.	DESCRIPTION	QTY.	CODE	DRAWING
2.01	Support Wheel Axle	1	33137122	3137122
2.02	Hexagonal bolt M12x80 DIN933	4	21012983	-
2.03	Lock nut M12 DIN985	12	21021207	-
2.04	Flat washer M12 DIN125	24	29110907	-
2.05	Wheel Hub (5 Holes)	2	3137123	3137123
2.05	Wheel Hub (4 Holes)	2	3137159	3137159
2.06	Hexagonal bolt M12x35 DIN933	8	21013013	-
2.07	Wheel 14" Rim Kit	2	4115054	4115054
2.08	Dust Cap	2	29119518	-

Drum Kit



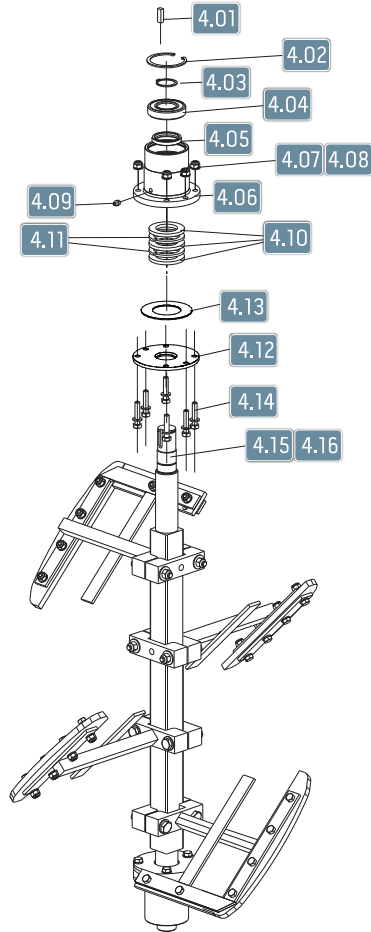
NO.	DESCRIPTION	QTY.	CODE	DRAWING
3.01	Hexagonal bolt M10x35 DIN 933	2	21012886	-
3.02	Lever Set	1	4107154	4107154
3.03	Fixed Grid 7 CuFt	1	32610784	3119070
	Fixed Grid 9 CuFt	1	33119168	3119168
3.05	Drum 7 CuFt	1	-	2137015
	Drum 9 CuFt	1	-	2137012
3.06	Hexagonal bolt M10x30 DIN933	6	21012816	-
3.07	Flat washer M10 DIN125	12	21030676	-
3.08	Hex lock nut M10 DIN985	6	21021206	-

Complete Drum Replacement Kit



NO.	DESCRIPTION	QTY.	CODE	DRAWING
KIT-2	Drum Replacement Kit 7 CuFt Packaged	1	3137185	3137185
	Drum Replacement Kit 9 CuFt Packaged	1	3137186	3137186

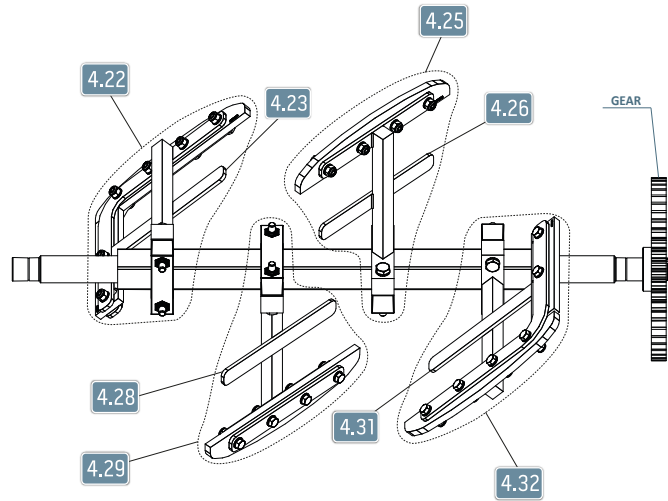
Drum Shaft Kit



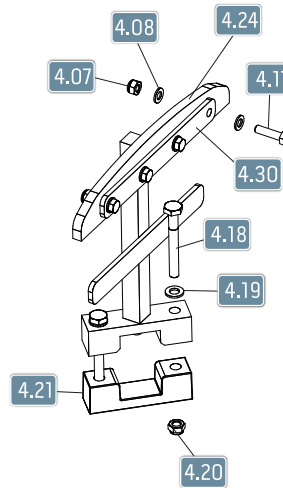
NO.	DESCRIPTION	QTY.	CODE	DRAWING
4.01	Key (10x8x30mm)	1	30167009	-
4.02	Snap Ring I-80 DIN472	1	21060264	-
4.03	Snap Ring E-38 DIN471	1	21060134	-
4.04	Bearing 6208 ZZ	1	22020126	-
4.05	Oil Seal (47 x 62 x 8 mm) Type BR	1	24010511	-
4.06	Drum Bearing	1	33137178	3137178
4.07	Hex Lock Nut M10	32	21021206	-
4.08	Flat Washer M10	64	21030676	-
4.09	Grease fitting 1/8" BSP	2	24040101	-
4.10	Oil Control Ring (74,5 x 46 x 6,5mm)	6	24030177	-
4.11	Shim	4	4107146	4107146
4.12	Rubber Washer (DN140 x 40 x 6,5mm)	2	24030178	4107147
4.13	Washer DN 140	2	4137189	4137189
4.14	Hex Screw M10 x 35 DIN 933	12	21012886	-
4.15	Main Shaft 7 CuFt	1	29121402	3107088
4.16	Main Shaft 9 CuFt	1	29121355	3107068

NO.	DESCRIPTION	QTY.	CODE	DRAWING
KIT-3	Drum bearing assembly - NOs. 4.02, 4.04, 4.05, 4.06, 4.09, 4.10, 4.11, 4.13	1	3137171	3137171

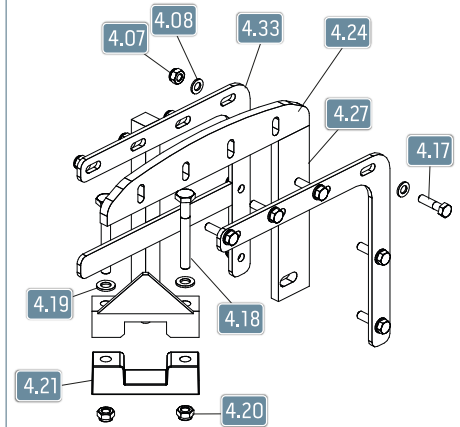
Paddle Shaft Kit



Central Blade:



Outside Blade:

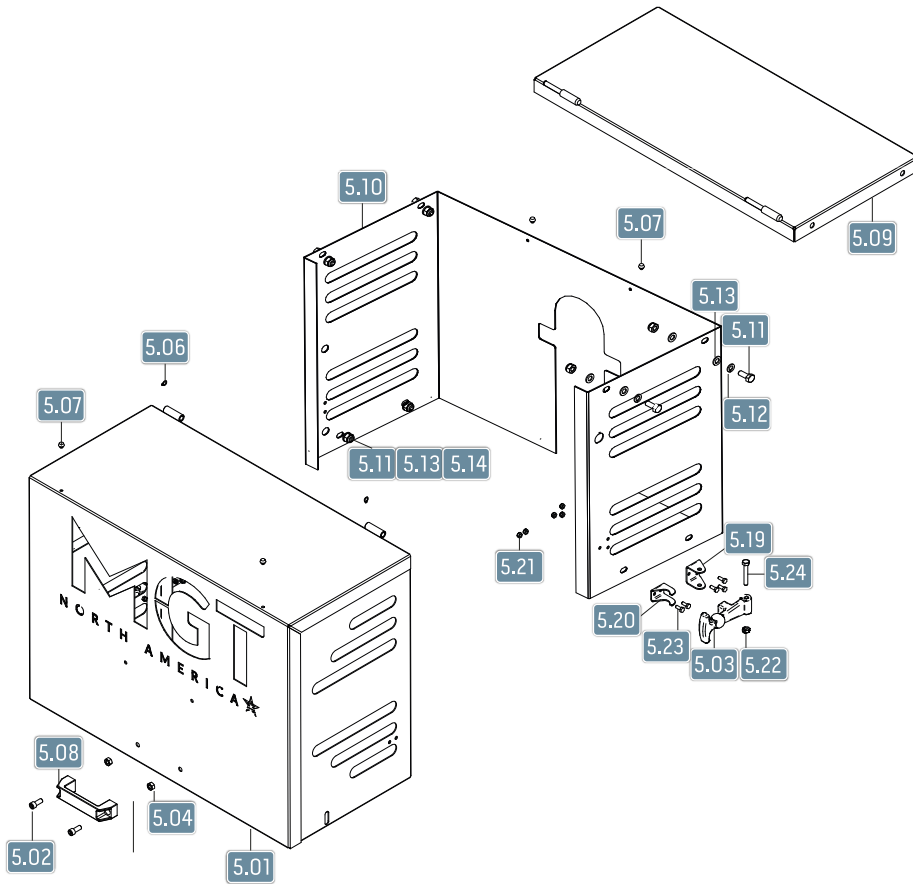


NOTE: Use gear as a reference for the left and right positions.

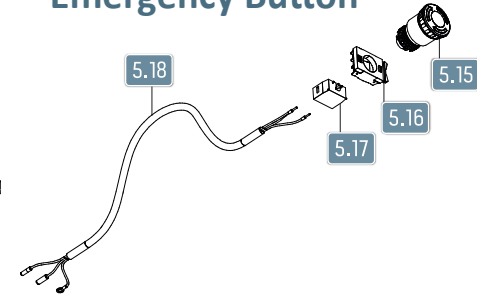
NO.	DESCRIPTION	QTY.	CODE	DRAWING
4.17	Hex Screw M10x40 DIN931	20	21012720	-
4.18	Hex Screw M12x100 DIN933	8	21012947	-
4.19	Flat Washer M12 (13x24x2,5) DIN125	8	29110907	-
4.20	Hex Lock Nut BX M12x1,75 DIN985	8	21021207	-
4.21	Paddle Arms Brackets	4	31090276	3137167
4.22	Outside left Blade Assembly	1	32610071	3107071
4.23	Outside left Blade	1	3107073	3107073
4.24	Top Paddle Rubber	4	24030241	4107110
4.25	Central right Blade Assembly	1	32610065	3107065

NO.	DESCRIPTION	QTY.	CODE	DRAWING
4.26	Central right Blade	1	3107064	3107064
4.27	Side Paddle Rubber	2	24030245	4107111
4.28	Central left Blade	1	3107067	3107067
4.29	Central left Blade Assembly	1	32610066	3107066
4.30	Side Blade	2	29121361	4107104
4.31	Outside right Blade	1	3107063	3107063
4.32	Outside right Blade Assembly	1	32610062	3107062
4.33	Top Blade	2	4107157	4107157

Box Kit

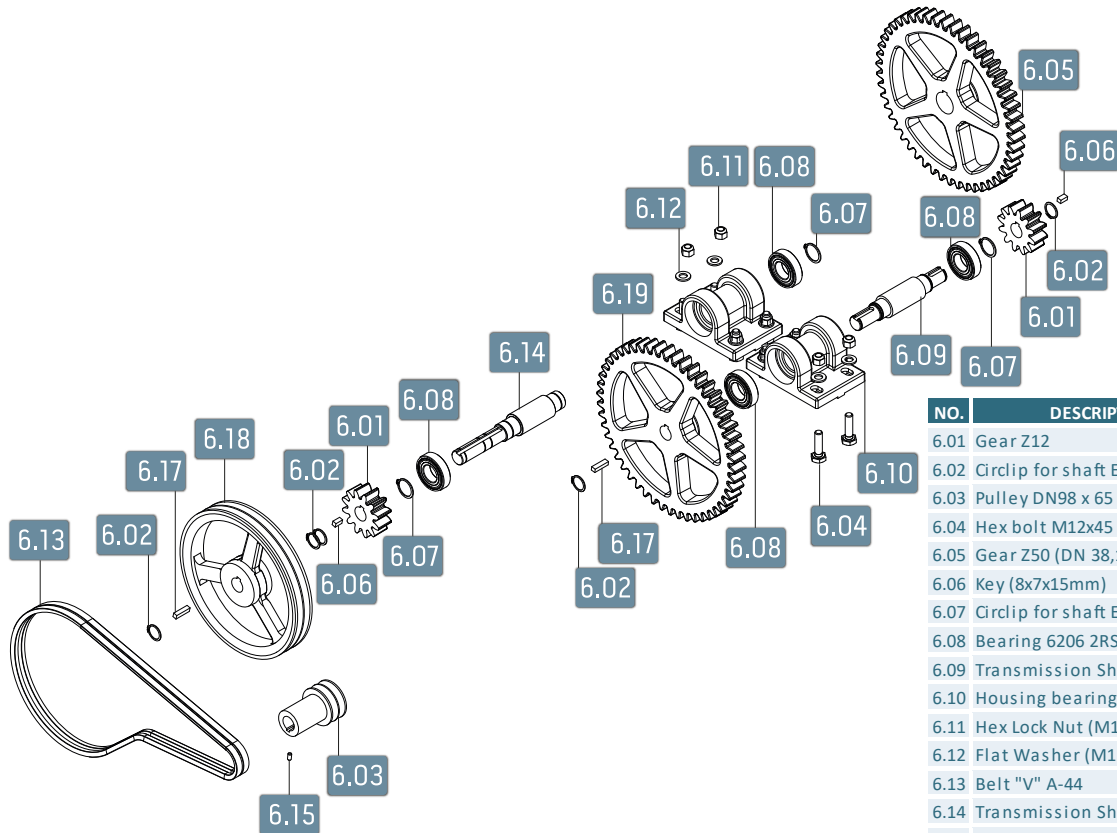


Emergency Button



NO.	DESCRIPTION	QTY.	CODE	DRAWING
5.01	Box door	1	33108422	3108422
5.02	Bolt 5/16"x3/4"	2	21010523	-
5.03	Rubber Door Latch	2	24030255	4122581
5.04	Hex nut 5/16"	2	21021052	-
5.06	Circlip for shaft E-8 DIN471	2	21060150	-
5.07	Rubber lock	8	24030222	4122072
5.08	Handle	1	24070164	4122435
5.09	Box cover	1	34137165	4137165
5.10	Back box	1	33137151	3137151
5.11	Hex Bolt M10x25 DIN933	8	21012815	-
5.12	Spring washer M10 DIN127	4	21030406	-
5.13	Flat Washer M10 DIN125	12	21030676	-
5.14	Hex Lock Nut M10	4	21021206	-
5.15	Emergency Button	1	26160132	-
5.16	Flange (button)	1	26160155	-
5.17	Contact Block NA BC10F-CSW X100	1	26160146	-
5.18	Cable (button)	1	26010436	4122579
5.19	Fixed Rubber Door Latch Support	2	29117877	4122582
5.20	Movable Rubber Door Latch Support	2	29117878	4122583
5.21	Hex Nut 3/16"	10	21021002	-
5.22	Low Hex Nut 1/4"	2	21021004	-
5.23	Hex. Bolt 3/16"x 1/2"	10	29117880	-
5.24	Hex. Bolt 1/4"x 1.3/4"	2	29117879	-

Trestle Kit



NO.	DESCRIPTION	QTY.	CODE	DRAWING
6.01	Gear Z12	2	27030104	3123011
6.02	Circlip for shaft E-25 DIN471	5	21060122	-
6.03	Pulley DN98 x 65 x 25,4	1	31090263	4109067
6.04	Hex bolt M12x45 8.8 DIN933	8	21012829	-
6.05	Gear Z50 (DN 38,1mm)	1	3124004	32030021
6.06	Key (8x7x15mm)	2	30169013	-
6.07	Circlip for shaft E-30 DIN471	3	21060127	-
6.08	Bearing 6206 2RS	4	29751080	-
6.09	Transmission Shaft (195 mm)	1	29121346	4105037
6.10	Housing bearing	2	31090213	3116030
6.11	Hex Lock Nut (M12)	8	21021207	-
6.12	Flat Washer (M12)	8	29110907	-
6.13	Belt "V" A-44	2	22010183	-
6.14	Transmission Shaft (230 mm)	1	29121347	4105038
6.15	Bolt M6x12 DIN916	1	21011781	-
6.17	Key (8x7x30mm)	1	30169012	-
6.18	Driver Pulley Ø 260mm	1	31090006	3109080
6.19	Gear Z50 (DN 25mm)	1	3124005	3124005

Menegotti GROUP

Solid values, *sustainable future.*

MENEGOTTI
HANDLING

MENEGOTTI
CONSTRUCTION

MENEGOTTI
HOUSE & GARDEN



Unit • Unidat Menmaq

Erwino Menegotti, 381 - Água Verde
Jaraguá do Sul - SC - 89254-000



Unit • Unidat Mentec

José Theodoro Ribeiro, 2399 - Ilha da Figueira
Jaraguá do Sul - SC - 89258-468



Unit • Unidat Menfer

Saudade, 186 - Seminário
Corupá - SC - 89278-000



Unit • Unidat MNA

248 E Crogan St STE 301 - Lawrenceville - GA
30046 - United States

grupomenegotti.com