

MENEGOTTI TECHNICAL MANUAL

MORTAR MIXER

9 CuFt
7 CuFt

QR-Code:



Point your mobile phone camera to access the updated online version of **Technical Manuals** and **Parts Catalogs**, or click on the link below to access the website.

www.mgtamerica.com

Attention:

Before operate **Menegotti** equipment, read this **technical manual**, itself will inform and instruct the operator about the operation.

By the way, you avoid possible working accidents and early maintenance on at the equipment.



Illustrative image.

MENEGOTTI

NORTH AMERICA 

Congratulations, you have just purchased a Menegotti product!

With the highest quality, projected and built especially to serve your needs.

This manual was elaborated to provide the information and key instructions to use and maintain our product, in addition presents their technical characteristics.

Before use the product for the first time, read and pay attention to the information in this manual.

The product durability only depends on the way you treat it in service (operation) and the satisfactory working is a consequence of your regular work carefully.

Menegotti is prepared to offer you all technical assistance, and attend all your needs about replacement parts.

Welcome, you are part of the huge Menegotti “customers family”.

MENEGOTTI After Sales and
Technical Assistance Departments.

Attention: For better comfort, store and keep this manual in a properly spot so it can be easily checked.

Index

Menegotti Group.....	03
The Product.....	03
Safety.....	03
Technical Specifications	04
Machine’s Description.....	05
Lifting, Transporting and Towing.....	07
Working Operation.....	08
Cleaner and Conservation.....	09
Lubrication.....	09
Maintenance.....	11
Exploded Drawing.....	14
Product Warranty.....	23
Term of Warranty.....	23

Menegotti Group

Menegotti is reference in the development of solutions in machines and tools for the Construction machinery, Handling and Lawn | Garden Segments.

A Brazilian company, present in more than 40 countries, has its headquarters in Jaraguá do Sul, Santa Catarina, units in Brazil and in the United States.

With more than 80th years of history, it is in the fourth generation of consistent and successful family management.

National leader in sales of concrete and cement mixers, it stands out in the resale and rental market.

Through its Innovation Program, it fosters creativity and competitiveness, with disruptive actions and partnerships, aimed at continuous professional and business growth.

With an organizational culture that values and encourages its constant professional and personal development, Menegotti is active in sustainable projects, which make its purpose of contribute “to build a better and more sustainable world”, a reality.



The Product

Menegotti Mortar Mixers are projected to realize the most demanding tasks, developed with robust structure and components which provide greater yield and homogenization for mixing mortar. Their transmission mechanisms facilitate their operation requiring minimum human effort.

Obs.: Menegotti North America, aiming to constantly improve its equipments, reserves its rights to alter the features of the product with no previous warning.

Safety

This manual must be completely read before any operation. On it there is useful information about the product, manufacturer, safety, replacement parts, maintenance and conservation. Keep this manual, on a proper place, so it may be consulted when necessary.

Before using this equipment, carefully, read this manual and follow the Manufacturer's information, such as, how to reduce the risk of accidents in operation.

It is expressly prohibited to remove or alter any safety device or feature, if it occurs Menegotti will not be held responsible.

Use the equipment according to the instructions on this manual.

In case of damage or missing parts, contact Menegotti North America on our telephone number 770-910-7450 for replacement.

With the machine turned off, conduct a daily inspection of the machine's parts. In case of problems, immediately contact Menegotti's authorized service.

Maintain a limited area exclusive for working with the equipment, always keeping this place clean, without obstructions and with proper illumination.





- The operator must be trained or qualified to operate this equipment.
- Do not use clothing that is too loose and which might get caught in the machine.
- Always wear safety gloves and ear protection.
- The motors must be installed by qualified professionals.
- Perform the maintenance recommended on this manual with qualified people and within the correct periods.
- Inspect all electrical, mainly regarding cuts, cable friction and broken connections.
- Never use extensions that are not in good conditions.
- Never use wet extensions or operate in wet environments (i.e. Puddles).
- When cleaning the equipment, never throw water on the motor.
- Whenever performing maintenance on this equipment, disconnect the power cable from its source.
- Avoid contact with hot surfaces.
- Before performing any activity or maintenance, first let the motor cool down.
- Avoid contact with rotating parts.

Technical Specifications

Specifications	9 CuFt	7 CuFt
Capacity of the Drum	9 CuFt	7 CuFt
Ideal Work Load	9 CuFt	7 CuFt
Cycles/hour quantity	8	8
Hour Production	70,63 CuFt	56,50 CuFt
Blades Rotation	40 RPM	40 RPM
Transmission System	A-44 "V" Belts (02pcs) Gears (02pcs)	
Weight with no engine	745 lbs	705,5 lbs
Dimensions (Mixture position) (LxWxH)	2100x1600x1400 mm	1900x1600x1400 mm
Wheels	Wheels 14" rim	Wheels 14" rim

Machine's Description



Pos.	Description
1	Drum Kit
2	Lever
3	Box Kit
4	Wheel Kit
5	Chassis
6	Yoke

Activation

The Mortar Mixer 9 CuFt is an equipment that was projected to heavy tasks regarding civil construction.

It is composed by a drum with the mixture capacity of up to 7 CuFt. The responsible for the drum's moving is the motor (electrical/combustion), that is activated by a pulleys system – motor and moved – with “V” belts and gears. The unloading system is manual.

Working and Operating Conditions

- Attentively read this instruction manual;
- Menegotti's Mortar Mixers can be used inside or outside (do not use combustion motors indoors due to its toxic gas emission);
- When loading the Mixer with a shovel, the operator should not put it inside the drum;
- The introduction of any object in the drum, as it is on, can cause serious accidents;
- Any not proper use may consist on a threat to the operator and people nearby physical integrity;
- When using this equipment, follow the manufacturer's instructions as a way of reducing the risks of accident during operation;
- Use the equipment as this manual instructions recommend;
- The operator should be trained or qualified to operate this equipment;
- The operator should wear clothes that are not too loose and be well familiarized with the machine's working;
- Keep an exclusive and limited area to work with the equipment, maintaining it cleaning with no obstruction and good illumination;
- It is expressly prohibited to remove or alter any safety device or features;
- If changes were done, Menegotti will not be held responsible to injuries or damages, and the equipment's warranty will be lost; - Motors should be installed by qualified professionals;
- Perform the maintenance recommended on this manual with qualified people and within the correct periods;
- Whenever performing maintenance on this equipment, disconnect the power cable from its source; and
- Tires should be calibrated from 26 to 30lbs.

Noise Level during Operation

Once the noise level during the Mixer's operation with Mortar in the drum can reach 95dBA, it is recommended the use of ear protectors during prolonged operation.

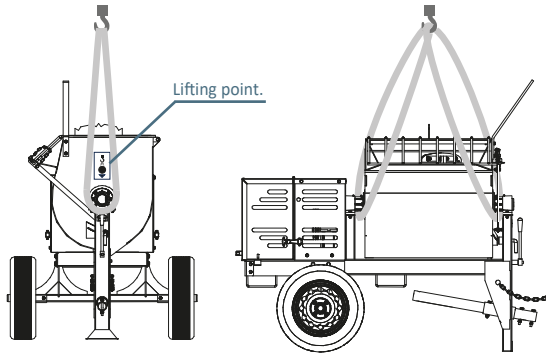
Empty	Full
85-90 dBA	94-95dBA

Lifting, Transporting and Towing

Lifting

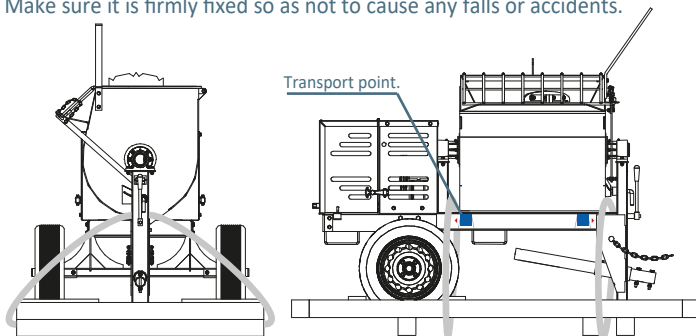
The Mortar Mixers should be lifted by the drum shaft, as shown in the image below, harsh moves and hits should be avoided.

BE CAREFUL: Turn the motor off before allowing anyone to put one's hand on the mixture drum.



Transporting

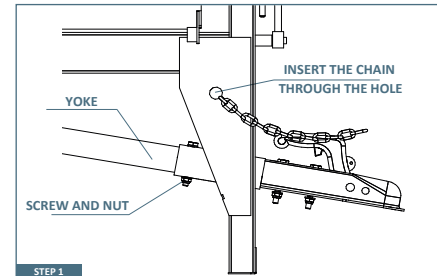
When transporting the machine, it must be secured by the chassis. Make sure it is firmly fixed so as not to cause any falls or accidents.



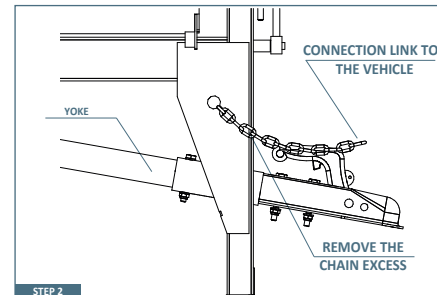
Towing

Towing is not recommended on roads, only inside building areas.

STEP 1: Insert the yoke into the main structure. Lock it using a M12 screw, 2 washers and a self locking nut. Pass the chain through the hole located between the structure's union plate and the structure's angle. Tie the chain and put it on the traction bar. Lock it with the connection link.



STEP 2: Stretch the chain along the yoke, remove the excess of chain and lock it on the towing vehicle using a connection link.



NOTE: It is important that the length of the chain be properly adjusted to avoid that the yoke and the front part of the mixer don't fall on the floor in case the yoke disconnect from the towing vehicle, even manually.

Working Operation

Working and Equipment's Operation Sites

Place the mixer on a plain and firm surface in a way to make easier the loading and unloading processes.

Workings

1. Place the drum with its opening turned up. This move must be done by turning the drum's lever;
2. Bend the drum up. This move must be done by turning the drum's lever;
3. Once the mixture is ready, turn the drum until unload the mortar; and
4. To fill it in again, let the machine always on, taking the necessary care during the operation.

Working with the Mixer

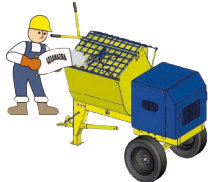
- 1 - Make use of one measurement (Bucket) to dose the compounds.



- 2 - Put water with the mixer ON (½ half bucket).



- 3 - Add the mortar verifying its packing regarding the quantity suggested.



- 4 - At last complete with water check how the mixture should look on the packing.



- 5 - Let the mixer work until the mortar is regular as indicated by the mortar manufacturer escarga.



- 6 - Unload Menegotti's mixers are projected on a ideal height to unloading that also facilitate the transport.



Attention!

If one is using the equipment to mix concrete, the grit will block the blades and broke them or the transmission. The mixer is adequate to mix mortar (grout, floor, and tile).

Cleaning and Conservation

DRUM'S GRID

- The drum's opening is covered by an articulated grid that opens by turning the drum (pic. 01) it is safer and facilitate cleaning. This grid must be closed whenever the mixer is on. Do not remove the grid or its opening bar; keep the grid clean by washing it daily.



- When finishing the task, clean the equipment, specially the drum, taking all the mortar of the drum.
- Be careful not to put water on the motor.
- Follow the lubrication periods orientation on the parts where there are grease points.
- If the mortar cures inside the drum it will be useless.

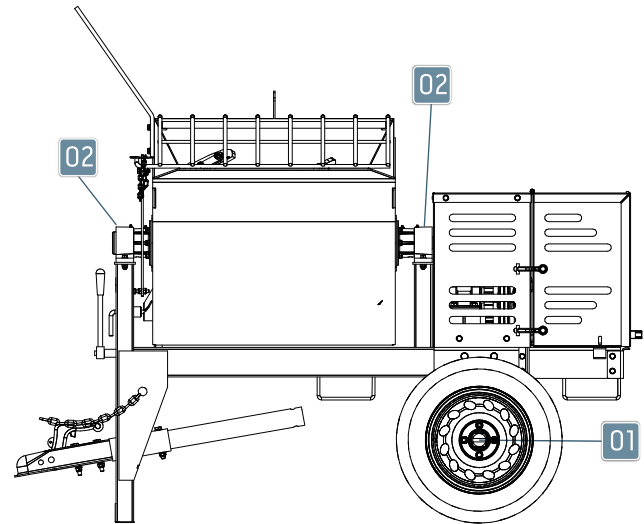
Lubrication

- Keep lubricate the rotating parts of the machine as sealing cover, bushing, piping, bearing bushing and bearing (with the help of the greasing points on the machine).
- Lubricate the equipment in the beginning of the operation, in all lubrication points.
- For the wheel hubs, use high speed and high temperatures greese types.
- Grease the wheel hub every 1000 miles.

Lubrication Points

Pos. (01) wheel's hub (intern)

Pos. (02) pillow block



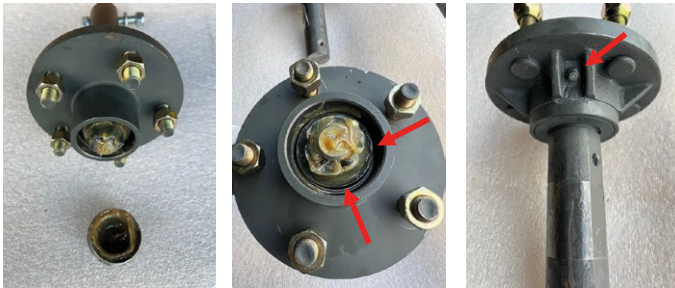
Greasing the Wheel Hubs

1- Using the plier for dust cap and the hammer, remove the dust cap from the wheel hub.



Note: If you do not have the plier, you can use a flathead screwdriver.

2- With the dust cap removed, check the grease on the wheel hub, they find the **grease fitting**.



Note: Pay attention to the parts **without** grease.

3- Using the grease gun, attach the tip to the grease, and then start pumping grease into the wheel hub until it looks like the picture below.



4- Using the rubber mallet (dead blow hammer), close the wheel hub with the dust cap.



Note: If you want, you can use Loctite 271, in order to not let the dust cap fall of the wheel hub, but you will have to clean the borders of the dust cap to make it more efficient.

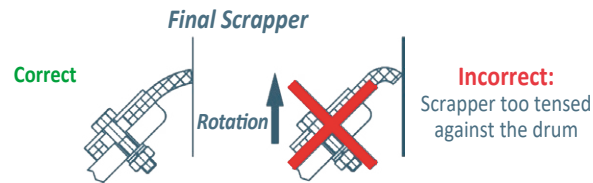
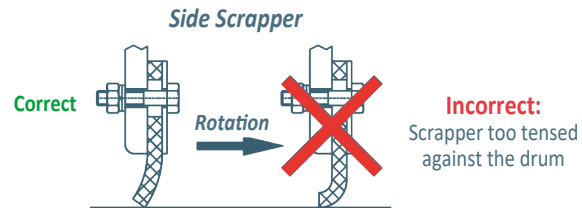
Maintenance

ATTENTION: Whenever it is needed to maintain the equipment, the engine must be shut off, wait for all moving parts to stop and let the engine cool. Every maintenance in the equipment, electrical or mechanical, should be done by authorized or qualified professionals.

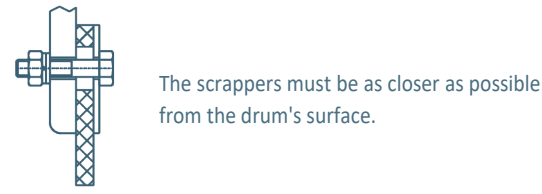
Never lubricate, service, repair, or adjust the machine with the engine running. The combustion engine's maintenance must be performed as it manual. Always disconnect the wire from the spark plug before maintenance.

Blades' Regulation

1) Mixing Blades



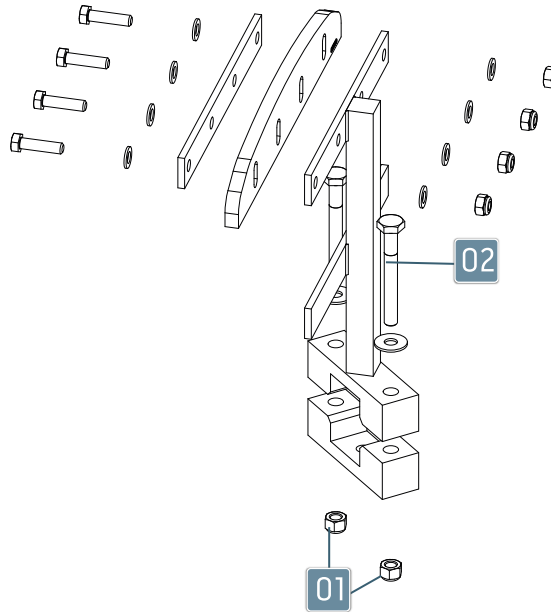
2) Mixing Blades With Scrapper



Blades' Substitution

Changing the blades is a simple thing; it's only needed to follow the described procedure:

- 1- Position the drum with its opening turned down;
- 2 - Loose the nut (01) and take the screw (02) off.



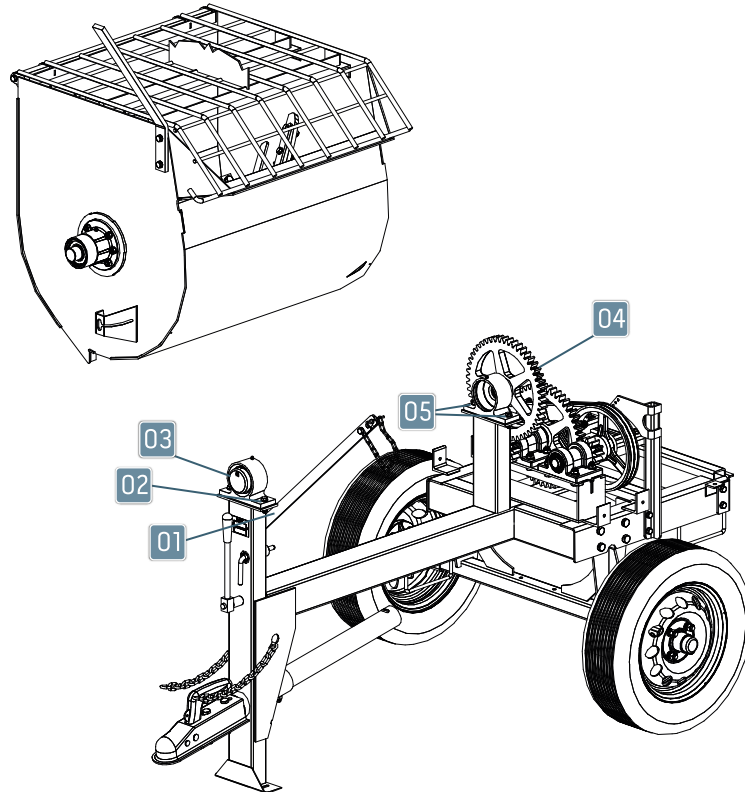
V-Belt's Substitution

- 1- Before using the Mortar Mixer, always check the condition of the engine V-belts;
- 2- Inspect the V-belts and adjust the spring as necessary;
- 3- If the V-belts show signs of wear or loss of flexibility, replace them;
- 4- Every 2 years replace the V-belts;

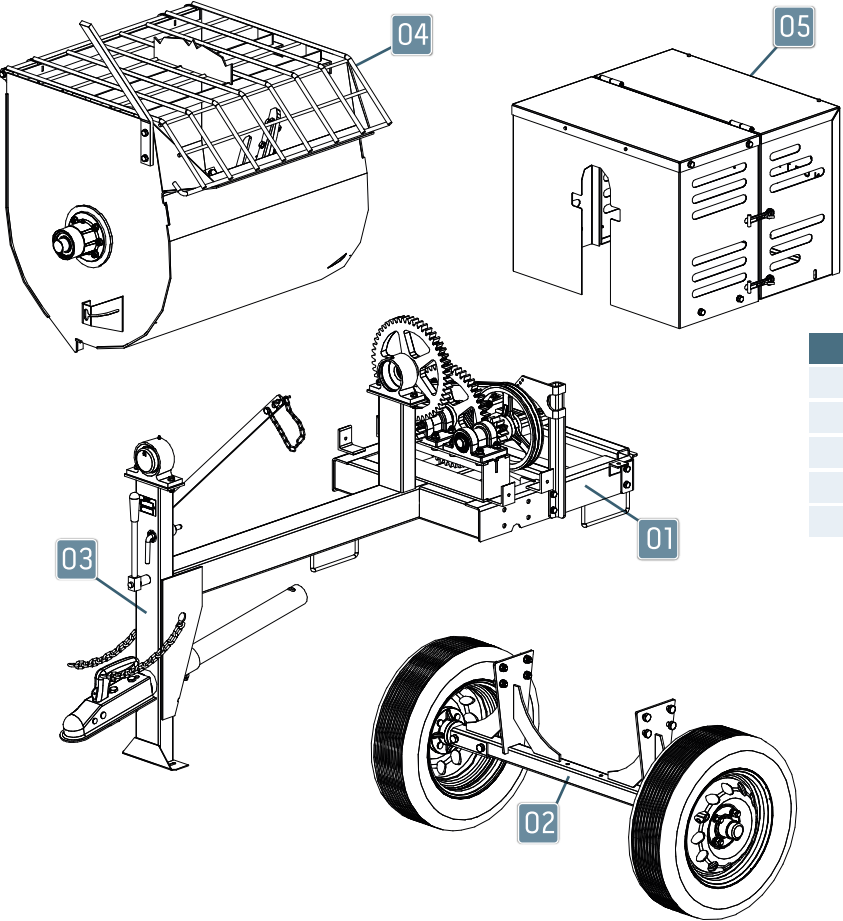
Drum's Substitution

Changing the drum is a simple thing; it's only needed to follow the described procedure:

- 1 - Position the drum with its opening turned down;
- 2 - Loose the nut (01) and take the screw (02) off;
- 3 - Take the pillow block off (03);
- 4 - Release gear from the main shaft (04).
- 5 - Loose the Screw (05).

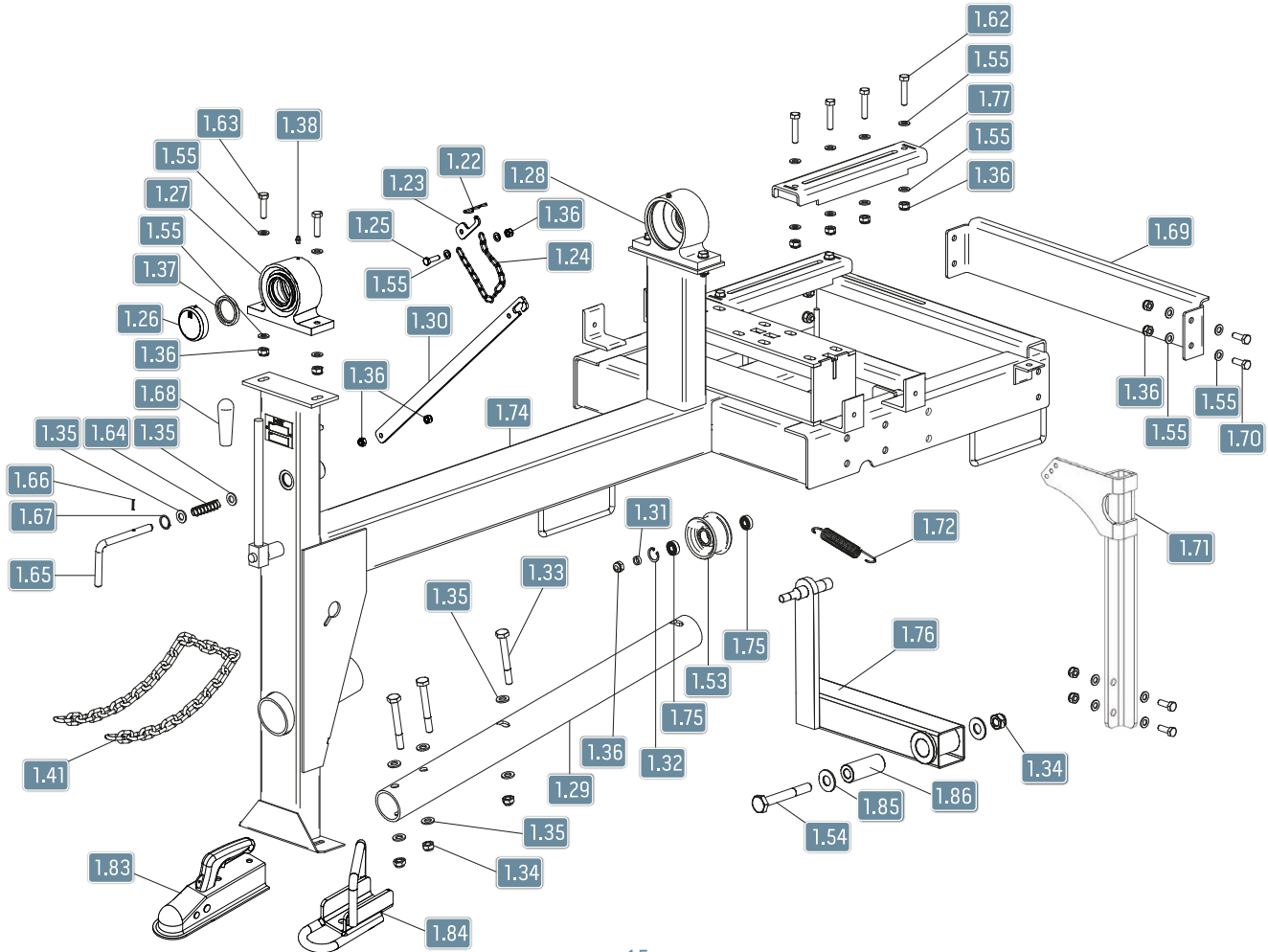


Exploded Drawing



Pos.	Description	Quant.
01	Chassis Kit	01
02	Wheels Kit	01
03	Chassis Kit	01
04	Drum Kit	01
05	Motor's Box Kit	01

Column and Chassis



Column and Chassis

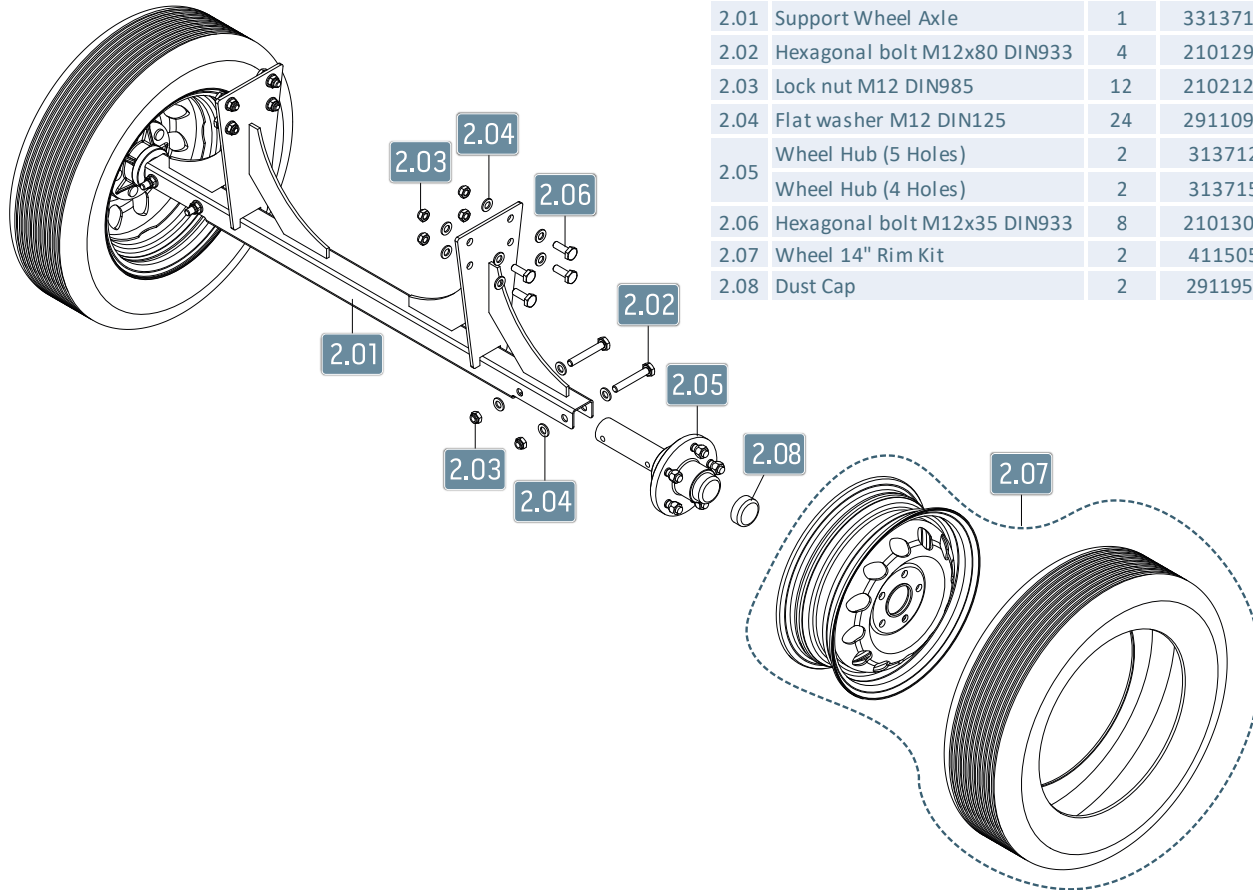
NO.	DESCRIPTION	QTY.	CODE	DRAWING
1.22	Clamp R 3X67 ZNAM	1	29750041	29750041
1.23	Rod lock	1	4137199	4137199
1.24	Long link chain (250 mm)	1	22060353	-
1.25	Hex. Bolt M10x35 mm	1	21012886	-
1.26	Closed plastic cover 120/150L	1	24110103	4122036
1.27	Housing bearing (front)	1	3116034	3116034
1.28	Housing bearing (back)	1	31090255	3116026
1.29	Tow Bar	1	4137179	4137179
1.30	Grid's articulating bar	1	29121343	4105022
1.31	Separator	1	29121344	4105031
1.32	Circlip for shaft I-26	1	21060221	-
1.33	Bolt M12x100mm DIN931	3	21012741	-
1.34	Lock Nut M12x1,75 DIN985	12	21021207	-
1.35	Flat Washer M12 DIN125	28	29110907	-
1.36	Lock Nut M10 DIN985	18	21021206	-
1.37	Seal Ring BR-00880 Ø56x40x8mm	2	24010105	24010105
1.38	Grease fitting M6 DIN 71412	2	24040305	-
1.41	Chain (2,6M) 1/4"	1	22060303	-
1.53	Pulley	1	31080050	4105032
1.54	Bolt M12x90 mm	1	21010140	-
1.55	Flat Washer M10 DIN 125	32	21030676	-
1.62	Bolt M10x50 DIN 933	8	29110982	-

NO.	DESCRIPTION	QTY.	CODE	DRAWING
1.63	Bolt M10x40 DIN 933	4	21012720	-
1.64	Compression spring	1	29751849	4122575
1.65	Fixing pin	1	4137159	4137159
1.66	Heavy Elastic Pin 5 x 32	1	21040112	-
1.67	Elastics ring I-38	1	21060222	-
1.68	Handle grip	1	27020110	4138020
1.69	Back plate	1	3137152	3137152
1.70	Bolt M10x30 mm DIN 933	6	21012816	-
1.71	Spring support	1	3137176	3137176
1.72	Spring	1	4122534	4122534
1.74	Chassis Assembly 9 CuFt	1	-	2125019
	Chassis Assembly 7 CuFt	1	-	2125020
1.75	Bearing 6000ZZ	2	22020201	-
1.76	Stretcher Arm	1	3137134	3137134
1.77	Engine support	2	4137167	4137167
1.83	Trailer Coupling 2.1/2"	1	3122537	-
*1.84	Pintle Hitch	1	3137173	-
1.85	Flat Washer 1/2"	2	21030250	-
1.86	Internal Bushing	1	4137211	4137211

NO.	DESCRIPTION	QTY.	CODE	DRAWING
KIT-1	Stretcher Arm with Pulley - Nos. - 1.76, 1.53, 1.75 1.31 1.32 1.36	1	3137170	3137170

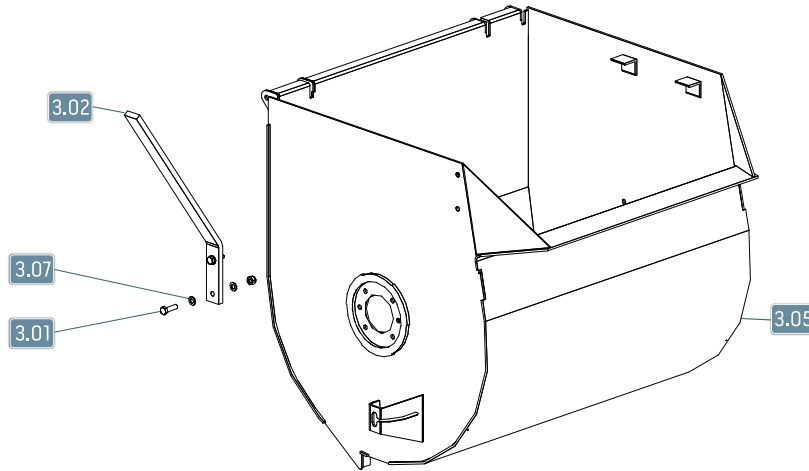
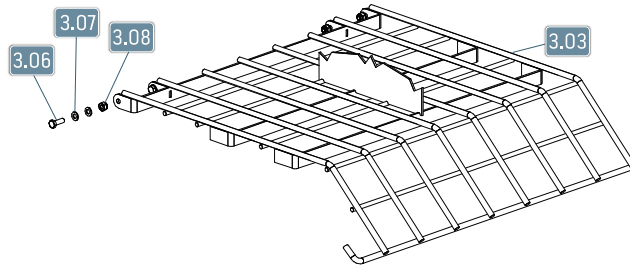
**Optional parts.*

Wheel 14" Rim Kit



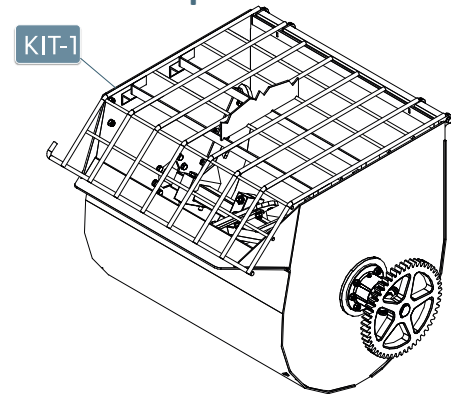
NO.	DESCRIPTION	QTY.	CODE	DRAWING
2.01	Support Wheel Axle	1	33137122	3137122
2.02	Hexagonal bolt M12x80 DIN933	4	21012983	-
2.03	Lock nut M12 DIN985	12	21021207	-
2.04	Flat washer M12 DIN125	24	29110907	-
2.05	Wheel Hub (5 Holes)	2	3137123	3137123
2.05	Wheel Hub (4 Holes)	2	3137159	3137159
2.06	Hexagonal bolt M12x35 DIN933	8	21013013	-
2.07	Wheel 14" Rim Kit	2	4115054	4115054
2.08	Dust Cap	2	29119518	-

Drum Kit



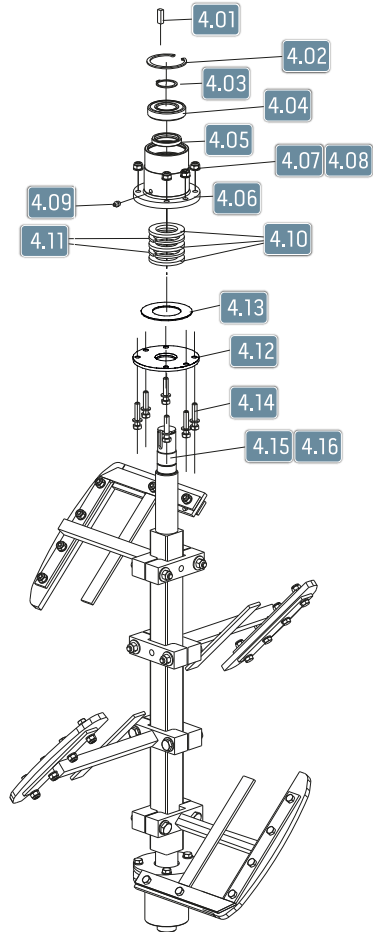
NO.	DESCRIPTION	QTY.	CODE	DRAWING
3.01	Hexagonal bolt M10x35 DIN 933	2	21012886	-
3.02	Lever Set	1	4107154	4107154
3.03	Fixed Grid 7 CuFt	1	32610784	3119070
	Fixed Grid 9 CuFt	1	33119168	3119168
3.05	Drum 7 CuFt	1	-	2137015
	Drum 9 CuFt	1	-	2137012
3.06	Hexagonal bolt M10x30 DIN933	6	21012816	-
3.07	Flat washer M10 DIN125	12	21030676	-
3.08	Hex lock nut M10 DIN985	6	21021206	-

Complete Drum Replacement Kit



NO.	DESCRIPTION	QTY.	CODE	DRAWING
KIT-2	Drum Replacement Kit 7 CuFt Packaged	1	3137185	3137185
	Drum Replacement Kit 9 CuFt Packaged	1	3137186	3137186

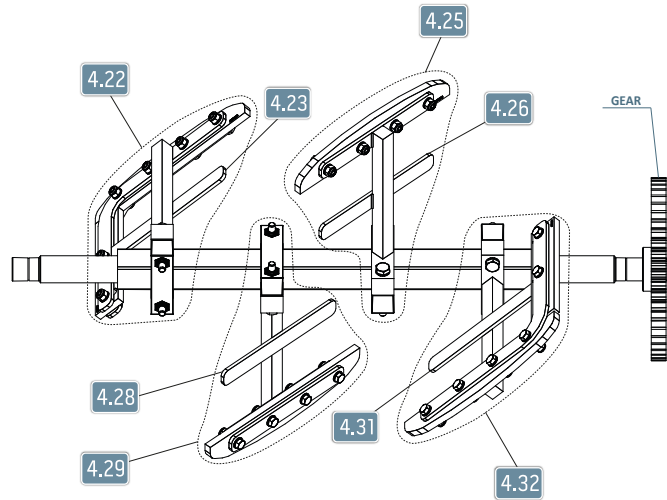
Drum Shaft Kit



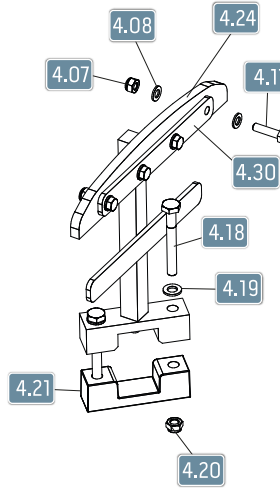
NO.	DESCRIPTION	QTY.	CODE	DRAWING
4.01	Key (10x8x30mm)	1	30167009	-
4.02	Snap Ring I-80 DIN472	1	21060264	-
4.03	Snap Ring E-38 DIN471	1	21060134	-
4.04	Bearing 6208 ZZ	1	22020126	-
4.05	Oil Seal (47 x 62 x 8 mm) Type BR	1	24010511	-
4.06	Drum Bearing	1	33137178	3137178
4.07	Hex Lock Nut M10	32	21021206	-
4.08	Flat Washer M10	64	21030676	-
4.09	Grease fitting 1/8" BSP	2	24040101	-
4.10	Oil Control Ring (74,5 x 46 x 6,5mm)	6	24030177	-
4.11	Shim	4	4107146	4107146
4.12	Rubber Washer (DN140 x 40 x 6,5mm)	2	24030178	4107147
4.13	Washer DN 140	2	4137189	4137189
4.14	Hex Screw M10 x 35 DIN 933	12	21012886	-
4.15	Main Shaft 7 CuFt	1	29121402	3107088
4.16	Main Shaft 9 CuFt	1	29121355	3107068

NO.	DESCRIPTION	QTY.	CODE	DRAWING
KIT-3	Drum bearing assembly - NOs. 4.02, 4.04, 4.05, 4.06, 4.09, 4.10, 4.11, 4.13	1	3137171	3137171

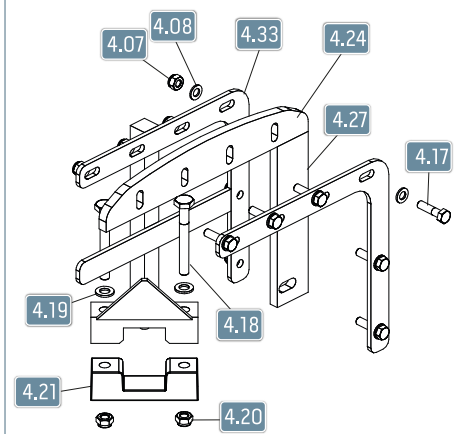
Paddle Shaft Kit



Central Blade:



Outside Blade:

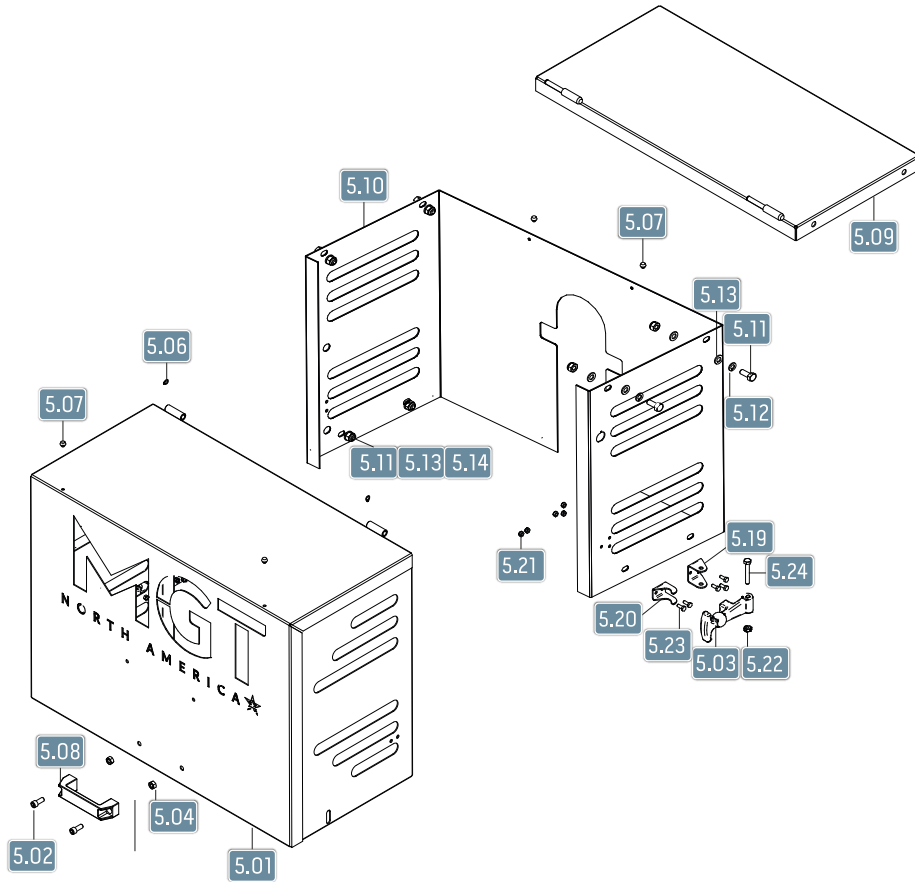


NOTE: Use gear as a reference for the left and right positions.

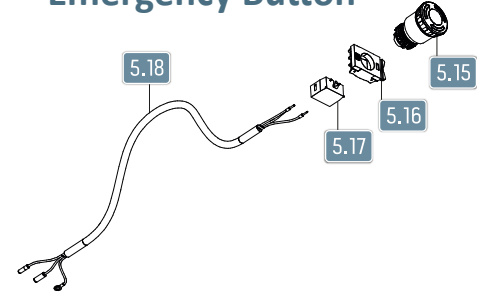
NO.	DESCRIPTION	QTY.	CODE	DRAWING
4.17	Hex Screw M10x40 DIN931	20	21012720	-
4.18	Hex Screw M12x100 DIN933	8	21012947	-
4.19	Flat Washer M12 (13x24x2,5) DIN125	8	29110907	-
4.20	Hex Lock Nut BX M12x1,75 DIN985	8	21021207	-
4.21	Paddle Arms Brackets	4	31090276	3137167
4.22	Outside left Blade Assembly	1	32610071	3107071
4.23	Outside left Blade	1	3107073	3107073
4.24	Top Paddle Rubber	4	24030241	4107110
4.25	Central right Blade Assembly	1	32610065	3107065

NO.	DESCRIPTION	QTY.	CODE	DRAWING
4.26	Central right Blade	1	3107064	3107064
4.27	Side Paddle Rubber	2	24030245	4107111
4.28	Central left Blade	1	3107067	3107067
4.29	Central left Blade Assembly	1	32610066	3107066
4.30	Side Blade	2	29121361	4107104
4.31	Outside right Blade	1	3107063	3107063
4.32	Outside right Blade Assembly	1	32610062	3107062
4.33	Top Blade	2	4107157	4107157

Box Kit

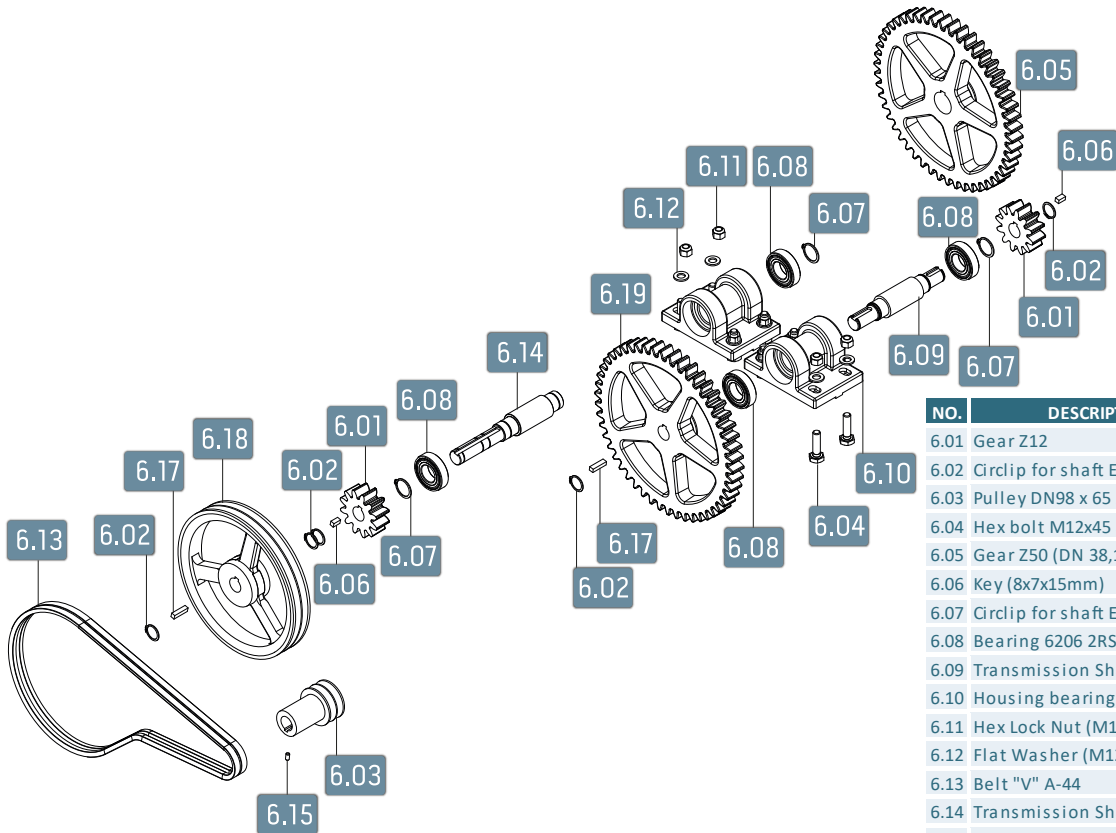


Emergency Button



NO.	DESCRIPTION	QTY.	CODE	DRAWING
5.01	Box door	1	33108422	3108422
5.02	Bolt 5/16"x3/4"	2	21010523	-
5.03	Rubber Door Latch	2	24030255	4122581
5.04	Hex nut 5/16"	2	21021052	-
5.06	Circlip for shaft E-8 DIN471	2	21060150	-
5.07	Rubber lock	8	24030222	4122072
5.08	Handle	1	24070164	4122435
5.09	Box cover	1	34137165	4137165
5.10	Back box	1	33137151	3137151
5.11	Hex Bolt M10x25 DIN933	8	21012815	-
5.12	Spring washer M10 DIN127	4	21030406	-
5.13	Flat Washer M10 DIN125	12	21030676	-
5.14	Hex Lock Nut M10	4	21021206	-
5.15	Emergency Button	1	26160132	-
5.16	Flange (button)	1	26160155	-
5.17	Contact Block NA BC10F-CSW X100	1	26160146	-
5.18	Cable (button)	1	26010436	4122579
5.19	Fixed Rubber Door Latch Support	2	29117877	4122582
5.20	Movable Rubber Door Latch Support	2	29117878	4122583
5.21	Hex Nut 3/16"	10	21021002	-
5.22	Low Hex Nut 1/4"	2	21021004	-
5.23	Hex. Bolt 3/16"x 1/2"	10	29117880	-
5.24	Hex. Bolt 1/4"x 1.3/4"	2	29117879	-

Trestle Kit



NO.	DESCRIPTION	QTY.	CODE	DRAWING
6.01	Gear Z12	2	27030104	3123011
6.02	Circlip for shaft E-25 DIN471	5	21060122	-
6.03	Pulley DN98 x 65 x 25,4	1	31090263	4109067
6.04	Hex bolt M12x45 8.8 DIN933	8	21012829	-
6.05	Gear Z50 (DN 38,1mm)	1	3124004	32030021
6.06	Key (8x7x15mm)	2	30169013	-
6.07	Circlip for shaft E-30 DIN471	3	21060127	-
6.08	Bearing 6206 2RS	4	29751080	-
6.09	Transmission Shaft (195 mm)	1	29121346	4105037
6.10	Housing bearing	2	31090213	3116030
6.11	Hex Lock Nut (M12)	8	21021207	-
6.12	Flat Washer (M12)	8	29110907	-
6.13	Belt "V" A-44	2	22010183	-
6.14	Transmission Shaft (230 mm)	1	29121347	4105038
6.15	Bolt M6x12 DIN916	1	21011781	-
6.17	Key (8x7x30mm)	1	30169012	-
6.18	Driver Pulley Ø 260mm	1	31090006	3109080
6.19	Gear Z50 (DN 25mm)	1	3124005	3124005

Product Warranty

The warranty is not transferable under the conditions and within the prescribed period and will be valid from the date of purchase of the equipment, through presentation of the sales invoice to the first end consumer. At the time of delivery of the equipment, the customer must receive the information and technical guidelines for the equipment as per the content of this manual.

Therefore, defects caused by mistreatment, carelessness, negligence, recklessness or malpractice, are not covered by this warranty, nor are any repairs or alterations of any part and/or piece of equipment. Also not covered is any assembly of the parts by any party other than the factory itself or Technical Assistant, application outside the specification, mechanical or electrical overloads or phase failure, use in an environment for which it was not designed, incorrect voltages of frequencies, incorrect lubrication, damage caused by accidents of any kind, such as floods, strong winds, fires, landslides or resulting from transportation.

The removal or alteration of the serial numbers originally placed on the product void the warranty, which must be presented on the sales invoice and the Warranty Certificate for the equipment in question.

The warranty assumed is limited to the repair, spare parts or parts assembly of the set of parts, in which the review is conducted by an Authorized Menegotti Technical Assistant and authorized in advance by the Factory, to double check the existence of the manufacturing defect. This repair or exchange will be made by an Authorized Technical Assistant, with the buyer bearing the risks or costs of transportation to and from the Technical Assistant, with the labor and replaced parts being free, under the terms of this warranty.

This supersedes any other warranty, express or implied as well as any and all liability or responsibility of our company concerning the above product.

MENEGOTTI After Sales and Technical Assistance departments.

Term of Warranty

By the present CERTIFICATE provided from original purchaser, Menegotti guarantees this product against manufacturing defects, for a period of 24 (twenty-four) months, counted from the invoice issue date of the first end consumer. This equipment's warranty does not include components worn out by use, such as: bearings, steel cable, electrical plugs, gears and engine breaking.

This warranty includes the replacement of parts and repairs due to manufacturing defects duly noted by the factory or Authorized Technical Assistant. This warranty will be rendered null and void in the case of damages arising from accidents, acts of nature, application other than which it was designed, connection to improper electrical supply or subjected to extensive power fluctuations, or, if opened by persons or workshops not authorized by Menegotti.

The consumer will be responsible for freight expenses for transporting the product to the technical assistant or factory.

The machine which includes an engine, this warranty covers internal defects in the motor originating from its manufacture. Defects not covered in this warranty include: overloading due to lack of or excessive phase, use of voltage outside that specified, broken or crushed casing due to negligence during transporting /or storage, coupling or energizing outside specifications and general defects from improper use and/or incorrect installation.

In agreement with these terms,

Customer: _____
Model: _____ **Number of Series:** _____
City: _____ **Date:** _____

Customer *Menegotti Authorized Service*

Menegotti GROUP

Solid values, *sustainable future.*

MENEGOTTI
HANDLING



Unit • Unidat Menmaq

Erwino Menegotti, 381 - Água Verde
Jaraguá do Sul - SC - 89254-000

MENEGOTTI
CONSTRUCTION



Unit • Unidat Mentec

José Theodoro Ribeiro, 2399 - Ilha da Figueira
Jaraguá do Sul - SC - 89258-468

MENEGOTTI
HOUSE & GARDEN



Unit • Unidat Menfer

Saudea, 186 - Seminário
Corupá - SC - 89278-000



Unit • Unidat MNA

248 E Crogan St STE 301 - Lawrenceville - GA
30046 - United States

grupomenegotti.com