

MENEGOTTI PARTS LIST
POWER TROWEL
MPT 36 | MPT 46

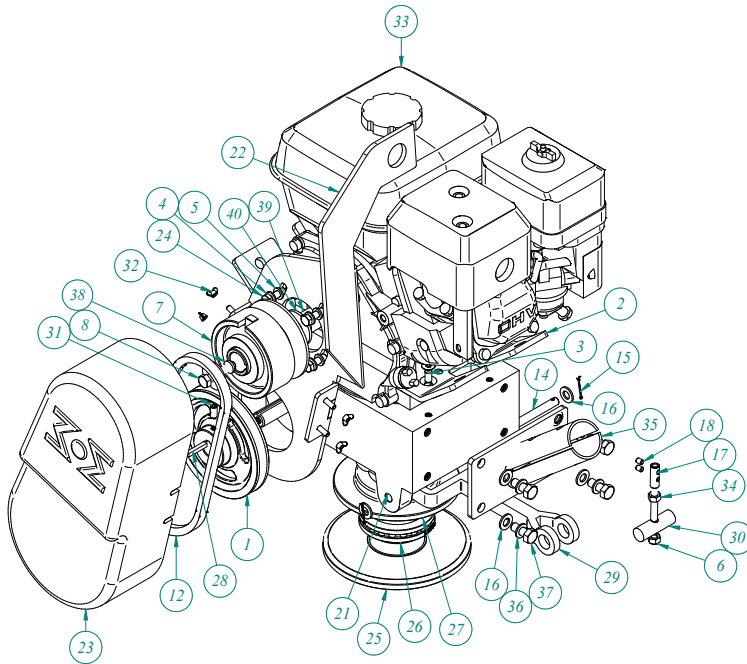


MPT 36



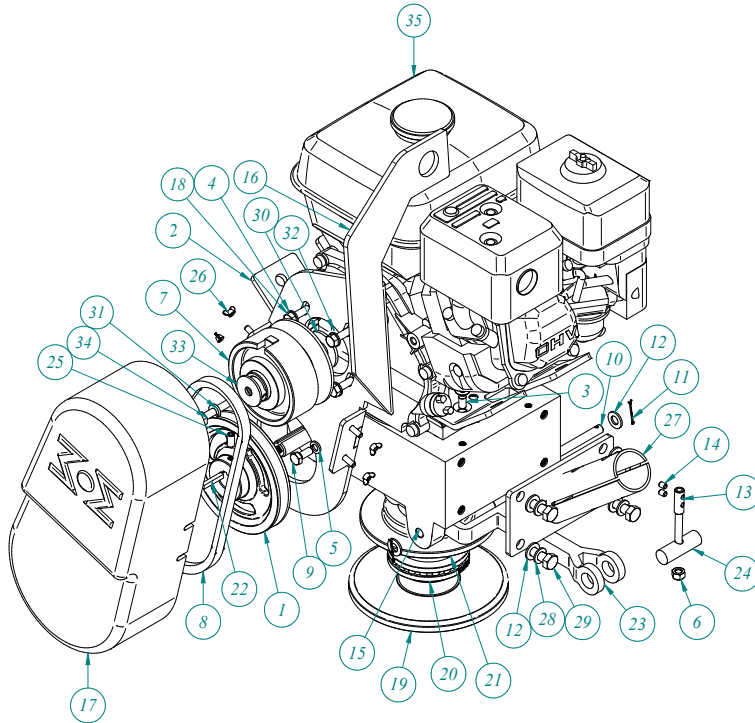
MPT 46

A - TRANSMISSION ASSEMBLY MPT 36 MENEGOTTI ENGINE



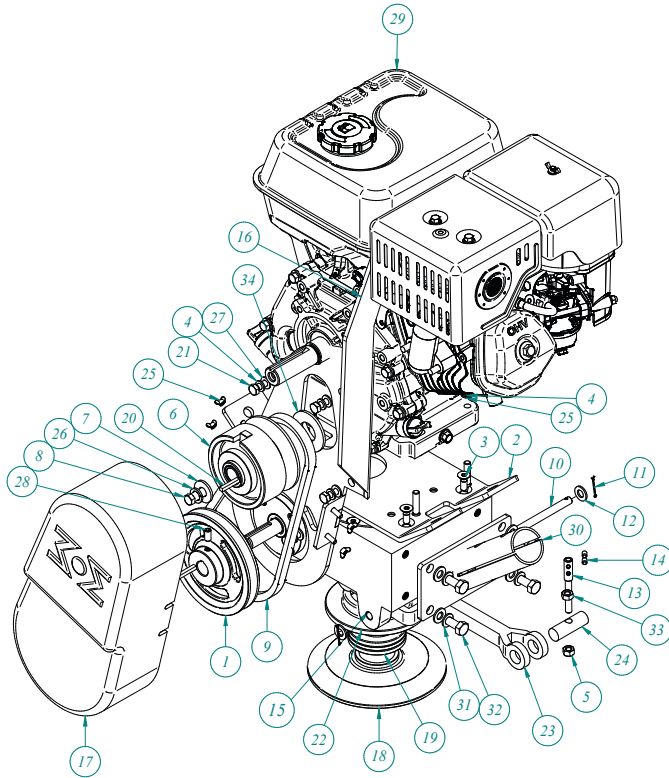
POS.	DESCRIPTION	QNTY.	CODE	DRAW
1	PULLEY	1	3162061	3162061
2	ENGINE SUPPORT MPT 36	1	3162202	3162202
3	HEXAGONAL FLAT HEAD SCREW M8X20 DIN7991	4	21013041	S/N
4	FLAT WASHER M08 (8,4x17x1,6) DIN125 ZB	9	21030702	-
5	LOCK WASHER M8	5	21030505	S/N
6	SELF LOCKING NUT M8	5	21021205	-
7	CLUTCH MPT36	1	29121625	3162220
8	HEXAGONAL SCREW 3/8"x1.3/4"	1	21010276	-
12	V-BELT AX 26	1	22010141	4162093
14	FORK PIN MPT36 MPT46	1	4162208	4162208
15	COTTER PIN 1/16"x1"	2	21050126	0.07.01.001
16	FLAT WASHER M10 (10,5x20x2) DIN125	6	21030676	-
17	TERMINAL STOP THREADED	1	4162213	4162213
18	HEXAGONAL SOCKET SCREW M6x08	2	21010935	-
21	REDUCTOR ASSEMBLY MPT36	1	29121627	3162290
22	PULLEY AND LIFTING SUPPORT ASSEMBLY MPT36	1	3162270	3162270
23	BELT PROTECTION MPT36 MPT46	1	4162207	4162207
24	HEXAGONAL SCREW M8x25MM	4	21012810	S/N
25	BLADE SUPPORT FLANGE MPT36 MPT46	1	3162210	3162210
26	AXIAL BEARING 51113	1	22020961	-
27	UPPER FLANGE	1	3162285	3162285
28	KEY 5X5X30	1	21130132	3162288
29	FORK ASSEMBLY MPT36 MPT46	1	29121630	3162275
30	FORK SHAFT	1	3162261	3162261
31	HEXAGONAL SOCKET HEADLESS SCREW M8x16	1	21011782	S/N
32	WING NUT M6	4	21020709	S/N
33	MENEGOTTI ENGINE 200F	1	23040205	-
34	HEXAGONAL NUT M8	1	21021105	-
35	ADJUSTABLE ARM SUPPORT	1	3162230	3.162.230
36	GALVANIZED SPRING WASHER M10	4	21030506	-
37	HEXAGONAL SCREW M10x25 8.8 DIN933	4	21012815	-
38	SPRING WASHER 5/16"	1	21030112	-
39	CLUTCH SPACER MPT36	1	-	4162203
40	FLAT WASHER 3/4"	1	21030225	-

B - TRANSMISSION ASSEMBLY MPT 36 HONDA ENGINE



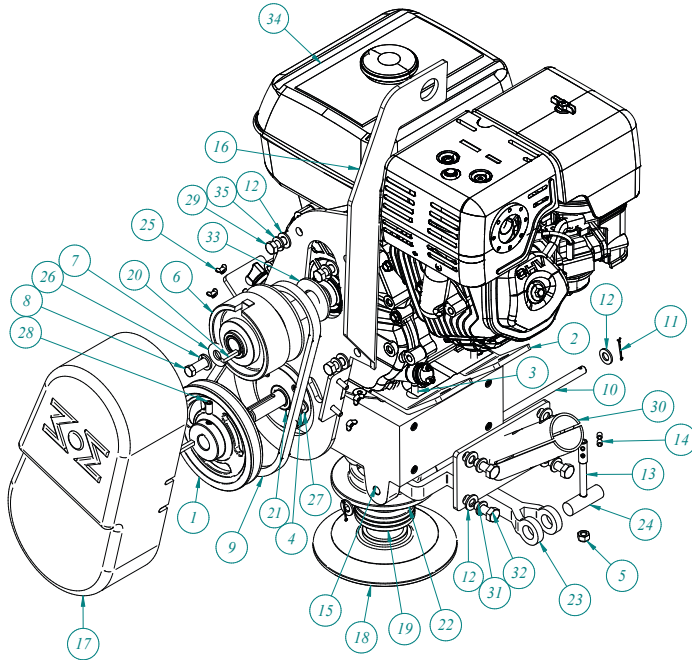
POS.	DESCRIPTION	QNTY.	CODE	DRAW
1	PULLEY	1	3162061	3162061
2	ENGINE SUPPORT MPT 36	1	3162202	3162202
3	HEXAGONAL FLAT HEAD SCREW M8X20 DIN7991	4	21013041	S/N
4	FLAT WASHER M08 (8,4x17x1,6) DIN125 ZB	9	21030702	-
5	SPRING WASHER M8	5	21030505	S/N
6	SELF LOCKING HEX NUT M8	5	21021205	-
7	CLUTCH MPT36	1	29121625	3162220
8	V-BELT AX 26	1	22010141	4162093
9	HEXAGONAL SCREW M8X20	1	21012931	-
10	FORK PIN MPT36 MPT46	2	4162208	4162208
11	COTTER PIN 1/16"X1"	2	21050126	0.07.01.001
12	FLAT WASHER M10 (10,5x20x2) DIN125	6	21030676	-
13	TERMINAL STOP THREADED	1	4162213	4162213
14	HEXAGONAL SOCKET SCREW M6x08	2	21010935	-
15	REDUCTOR ASSEMBLY MPT36	1	29121627	3162290
16	PULLEY AND LIFTING SUPPORT ASSEMBLY MPT36	1	3162270	3162270
17	V-BELT PROTECTION MPT36 MPT46	1	4162207	4162207
18	HEXAGONAL SCREW M8x25MM	4	21012810	S/N
19	BLADE SUPPORT FLANGE MPT36 MPT46	1	3162210	3162210
20	AXIAL BEARING 51113	1	22020961	-
21	UPPER FLANGE	1	3162285	3162285
22	KEY 5X5X25	1	21130143	3162288
23	FORK ASSEMBLY MPT36 MPT46	1	29121630	3162275
24	FORK SHAFT	1	3162261	3162261
25	HEXAGONAL SOCKET HEADLESS SCREW M8x16	1	21011782	S/N
26	WING NUT M6	4	21020709	S/N
27	ADJUSTABLE ARM SUPPORT	1	3162230	3162230
28	GALVANIZED SPRING WASHER M10	4	21030506	-
29	HEXAGONAL SCREW M10x25	4	21012815	-
30	FLAT WASHER 3/4"	1	21030225	S/N
31	SPRING WASHER 5/16"	1	21030112	-
32	CLUTCH SPACER MPT36	1	4162203	4162203
33	FLAT WASHER WIDE FLAP 5/16"	1	23040154	-
34	HEXAGONAL SCREW 5/16"x2"	1	21012973	-
35	HONDA ENGINE GX160	1	23040154	-

C - TRANSMISSION ASSEMBLY MPT 46 MENEGOTTI ENGINE



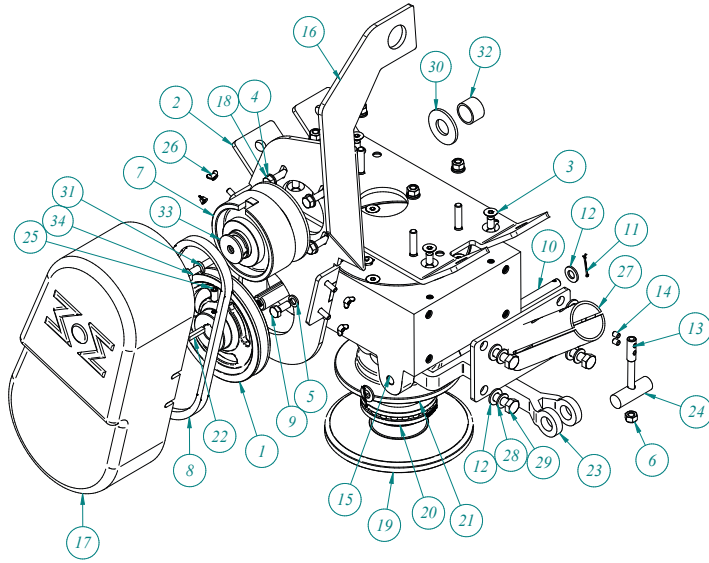
POS.	DESCRIPTION	QNTY.	CODE	DRAW
1	PULLEY	1	3162061	3162061
2	SUPPORT ENGINE MPT 46	1	3162890	3162890
3	HEXAGONAL SOCKET FLAT HEAD SCREW M8X20 DIN7991	4	21013041	S/N
4	FLAT WASHER M8	5	21030505	S/N
5	SELF LOCKING NUT M8	5	21021205	-
6	CLUTCH (MPT 46)	1	29121626	3162820
7	FLAT WASHER 7/16" (28x12x1,8mm)	1	21030105	S/N
8	HEXAGONAL HEAD SCREW 7/16x1" GALVANIZED	1	21013709	-
9	V-BELT AX 28	1	22010105	4162822
10	FORK PIN MPT36 MPT 46	1	41622208	4162208
11	COTTER PIN 1/16"x1"	2	21050126	0.07.01.001
12	FLAT WASHER M10 DIN 125	6	21030676	-
13	TERMINAL STOP THREADED	1	41622113	4162213
14	HEXAGONAL SOCKET SCREW M6 x 08 (DIN 916)	2	21010935	-
15	REDUCTOR 1:20 MPT 46	1	29121628	3162895
16	PULLEY PROTECTION PLATE MPT46	1	4162860	4162860
17	V-BELT PROTECTION MPT 36 MPT 46	1	4162207	4162207
18	LOWER FLANGE MPT46	1	4162811	4162811
19	AXIAL BEARING ASSEMBLY 51209	1	22020910	3162884
20	KEY 5X5X25	1	21130143	3162288
21	HEXAGONAL SCREW M8 X 20 RI DIN933 ZB	5	21012931	-
22	UPPER FLANGE MPT 46	1	4162885	4162885
23	FORK ASSEMBLY MPT36.MPT46	1	29121630	3162275
24	FORK SHAFT	1	3162261	3162261
25	WING NUT	4	21020709	S/N
26	SPRING WASHER M12 DIN 127	1	21030407	S/N
27	FLAT WASHER M8 DIN 127 (8,4x17x1,6) DIN125 ZB	9	21030702	-
28	HEXAGONAL SOCKET HEADLESS SCREW M8 X 16 RI DIN916	1	21011782	S/N
29	MENEGOTTI ENGINE 270F	1	23040206	-
30	ADJUSTABLE ARM SUPPORT	1	3162230	3162230
31	GALVANIZED SPRING WASHER M10	4	21030506	-
32	HEXAGONAL SCREW M10X25 8.8 DIN 933	4	21012815	-
33	HEXAGONAL NUT M8 DIN 934 ZB	1	21021105	-
34	FLAT WASHER 1" (56x26,5x3,4mm)	1	21030211	-

D - TRANSMISSION ASSEMBLY MPT 46 HONDA ENGINE



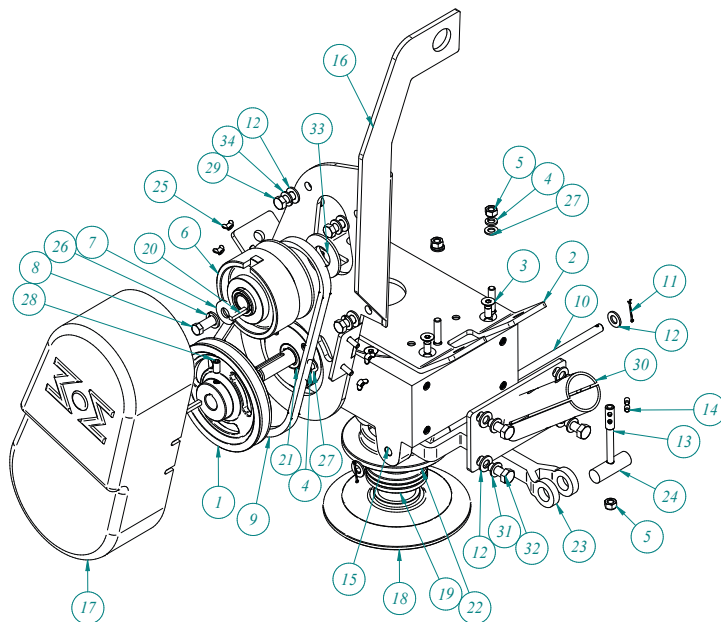
POS.	DESCRIPTION	QNTY.	CODE	DRAW
1	PULLEY	1	3162061	3162061
2	SUPPORT ENGINE MPT 46	1	3162890	3162890
3	HEXAGONAL SOCKET FLAT HEAD SCREW M8X20 DIN7991	4	21012931	S/N
4	FLAT WASHER	5	21030505	S/N
5	FLAT LOCKING NUT M8 DIN985 ZB	5	21021205	-
6	CLUTCH (MPT46)	1	29121626	3162820
7	FLAT WASHER 7/16" (28x12x1,8mm)	1	21030105	S/N
8	HEXAGONAL HEAD SCREW 7/16" GALV	1	21013709	-
9	V-BELT AX 28	1	22010105	4162822
10	FORK PIN MPT36 MPT46	1	4162208	4162208
11	COTTER PIN 1/16"X1"	2	21050126	0.07.01.001
12	FLAT WASHER M10 (10,5x20x2) DIN125 ZB	6	21030676	-
13	TERMINAL STOP THREADED	1	4162213	4162213
14	HEXAGONAL SOCKET SCREW M6 x 08 (DIN 916)	2	21010935	-
15	TRANSMISSION ASSEMBLY MPT 46	1	29121628	3162895
16	PULLEY PROTECTION PLATE MPT46	1	4162860	4162860
17	V-BELT PROTECTION MPT 36 MPT 46	1	4162207	4162207
18	LOWER FLANGE MPT46	1	4162811	4162811
19	AXIAL BEARING ASSEMBLY 51209	1	22020910	3162884
20	KEY 5X5X25	1	21130143	3162288
21	HEXAGONAL SCREW M8 X 20 RI DIN933 ZB	1	21012931	-
22	UPPER FLANGE MPT46	1	4162885	4162885
23	FORK ASSEMBLY MPT36.MPT46	1	29121630	3162275
24	FORK SHAFT	1	3162261	3162261
25	WING NUT	4	21020709	S/N
26	SPRING WASHER M12 DIN 127	1	21030407	S/N
27	FLAT WASHER M08 (8,4x17x1,6) DIN125 ZB	9	21030702	-
28	HEXAGONAL SOCKET HEADLESS SCREW M8 X 16 (DIN916)	1	21011782	S/N
29	HEXAGONAL SCREW Ø3/8" x 3/4" UNC GALV	4	21010243	S/N
30	ADJUSTABLE ARM SUPPORT	1	3162230	3162230
31	GALVANIZED SPRING WASHER M10	4	21030506	-
32	HEXAGONAL SCREW RI M 10 X 25 8.8 DIN 933	4	21012815	-
33	FLAT WASHER 1" (56x26,5x3,4mm)	1	21030211	S/N
34	HONDA ENGINE GX 270	1	23040197	-
35	SPRING WASHER M10	4	21030506	S/N

E - TRANSMISSION ASSEMBLY MPT 36 NO ENGINE



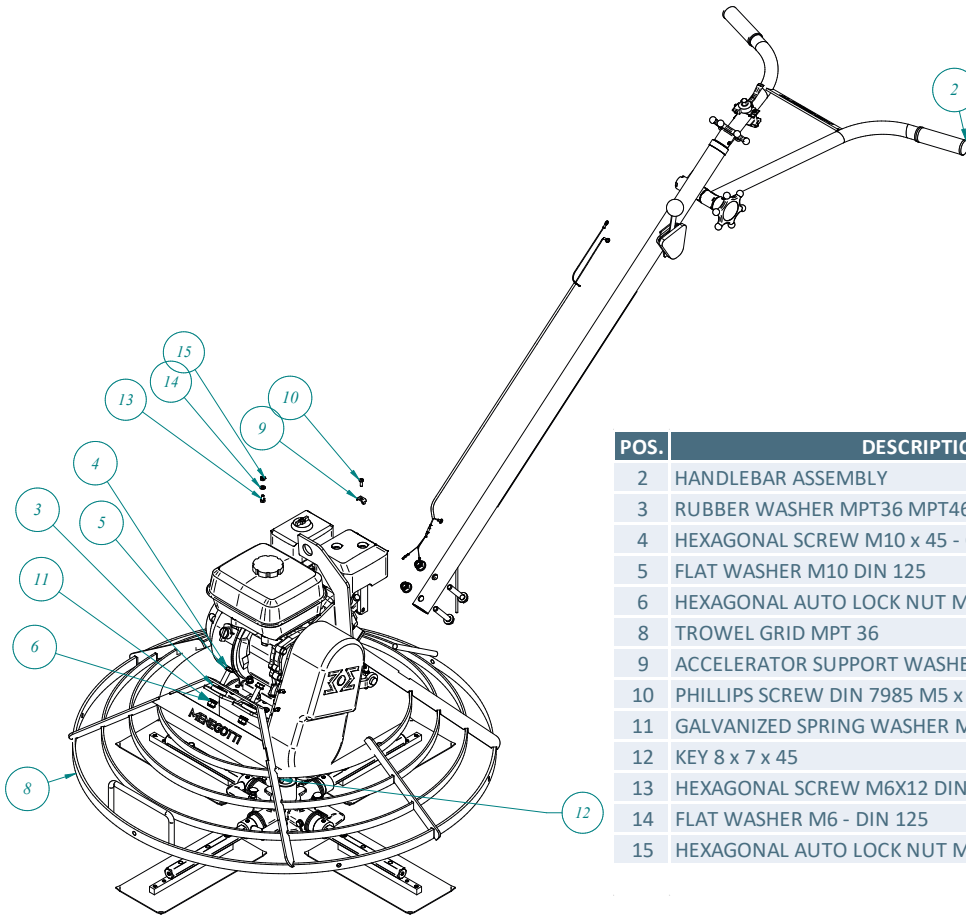
POS.	DESCRIPTION	QNTY.	CODE	DRAW
1	PULLEY	1	3162061	3162061
2	SUPPORT ENGINE MPT 36	1	3162202	3162202
3	HEXAGONAL SOCKET HEAD FLAT SCREW M8X20 DIN7991	4	21013041	S/N
4	FLAT WASHER M08 (8,4x17x1,6) DIN125 ZB	9	21030702	-
5	SPRING WASHER M8	5	21030505	S/N
6	SELF LOCKING NUT M8	5	21021205	-
7	CLUTCH (MPT36)	1	29121625	3162220
8	V-BELT AX 26	1	22010141	4162093
9	HEXAGONAL SCREW M8 X 20 RI DIN933 ZB	1	21012931	-
10	FORK PIN MPT36 MPT46	1	4162208	4162208
11	COTTER PIN 1/16"x1"	2	21050126	0.07.01.001
12	FLAT WASHER M10 DIN 125	6	21030676	-
13	TERMINAL STOP THREADED	1	4162213	4162213
14	HEXAGONAL SOCKET SCREW M6 x 08 (DIN 916)	2	21010935	-
15	REDUCTOR ASSEMBLY MPT 36	1	29121627	3162290
16	SUPPORT PULLEY AND HOIST ASSEMBLY MPT 36	1	3162270	3162270
17	V-BELTS PROTECTION MPT 36 MPT 46	1	4162207	4162207
18	HEXAGONAL SOCKET SCREW 5/16"	4	21010224	S/N
19	BLADE SUPPORT FLANGE MPT36 MPT46	1	3162210	3162210
20	AXIAL BEARING 51113	1	22020961	-
21	UPPER FLANGE	1	3162285	3162285
22	KEY 5X5X25	1	21130143	3162288
23	FORK ASSEMBLY MPT36.MPT46	1	29121630	3162275
24	FORK SHAFT	1	3162261	3162261
25	HEXAGONAL SOCKET HEADLESS SCREW M8 X 16 (DIN916)	1	21011782	S/N
26	WING NUT	4	21020709	S/N
27	ADJUSTABLE ARM SUPPORT	1	3162230	3162230
28	GALVANIZED SPRING WASHER M10	4	21030506	-
29	HEXAGONAL SCREW M 10 X 25 8.8 DIN 933	4	21012815	-
30	FLAT WASHER 3/4"	1	21030225	-
31	SPRING WASHER 5/16"	1	21030112	-
32	CLUTCH SPACER MPT36	1	4162203	4162203
33	FLAT WASHER 5/16"	1	21030508	-
34	HEXAGONAL SCREW 5/16 x 2" UNF	1	21012973	-

F - TRANSMISSION ASSEMBLY MPT 46 NO ENGINE



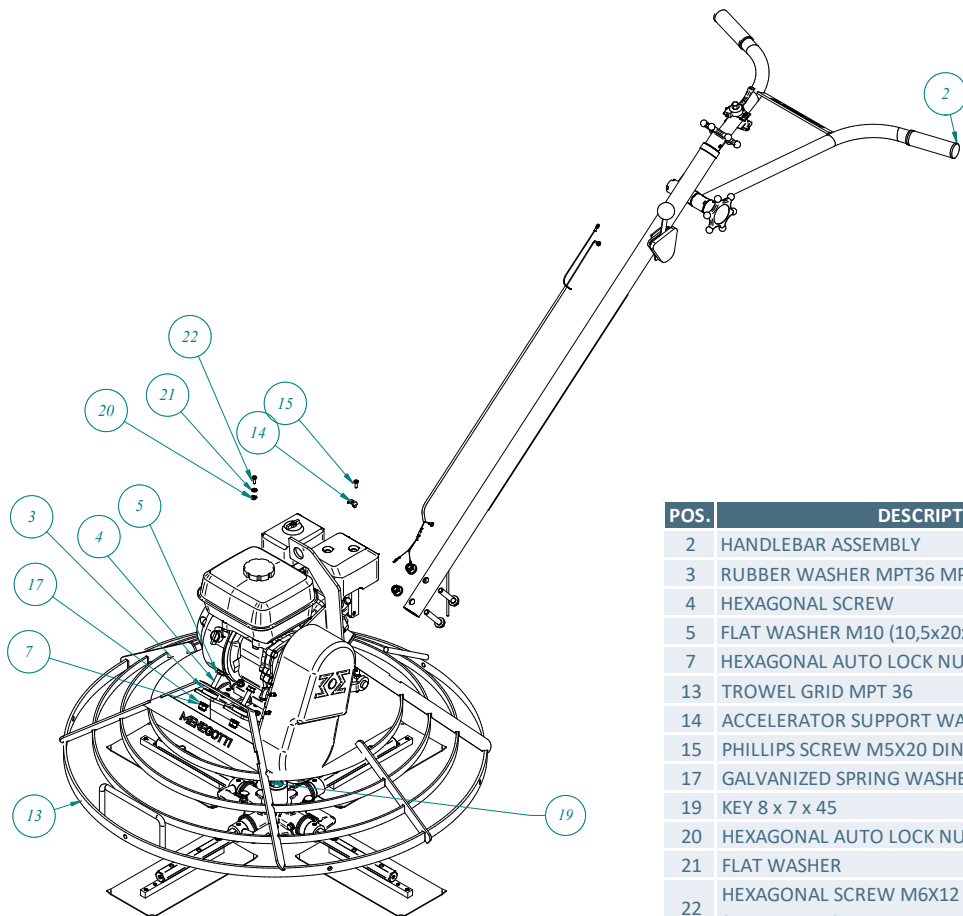
POS.	DESCRIPTION	QNTY.	CODE	DRAW
1	PULLEY	1	3162061	3162061
2	SUPPORT ENGINE MPT 46	1	3162890	3162890
3	HEXAGONAL SOCKET FLAT HEAD SCREW M8X20 DIN7991	4	21013041	S/N
4	SPRING WASHER M8	5	21030505	S/N
5	FLAT LOCKING NUT M8	5	21021205	S/N
6	CLUTCH (MPT 46)	1	29121626	3162820
7	FLAT WASHER 7/16" (28x12x1,8mm)	1	21030105	S/N
8	HEXAGONAL HEAD SCREW 7/16x1" GALV	1	21013709	-
9	V-BELT AX 28	1	22010105	4162822
10	FORK PIN MPT36 MPT46	1	4162208	4162208
11	COTTER PIN 1/16"x1"	2	21050126	0.07.01.001
12	FLAT WASHER M10 DIN125	6	21030676	-
13	TERMINAL STOP THREAD	1	41622113	4162213
14	HEXAGONAL SOCKET SCREW M6 x 08 (DIN 916)	2	21010935	-
15	REDUCTOR 1:20 MPT 46	1	29121628	3162895
16	PULLEY PROTECTION PLATE MPT46	1	4162860	4162860
17	V-BELT PROTECTION MPT 36 MPT 46	1	4162207	4162207
18	LOWER FLANGE MPT46	1	4162811	4162811
19	AXIAL BEARING 51209	1	22020910	3162884
20	KEY 5X5X25	1	21130143	3162288
21	HEXAGONAL SCREW M8 X 20 RI DIN933 ZB	1	21012931	-
22	UPPER FLANGE MPT 46	1	4162885	4162885
23	FORK ASSEMBLY MPT36.MPT46	1	29121630	3162275
24	FORK SHAFT	1	3162261	3162261
25	WING NUT	4	21020709	S/N
26	SPRING WASHER M12 DIN 127	1	21030407	S/N
27	FLAT WASHER M8 DIN 127 (8,4x17x1,6) DIN125 ZB	9	21030702	-
28	HEXAGONAL SOCKET HEADLESS SCREW M8 X 16 RI DIN916	1	21011782	S/N
29	HEXAGONAL SOCKET SCREW Ø3/8" x 3/4" UNC GALV.	4	21010243	-
30	ADJUSTABLE ARM SUPPORT	1	3162230	3162230
31	GALVANIZED MEDIUM PRESSURE WASHER M10	4	21030506	-
32	HEXAGONAL SCREW M 10 X 25 8.8 DIN 933	4	21012815	S/N
33	FLAT WASHER 1"(56x26,5x3,4mm)	1	21030211	S/N

G - GENERAL ASSEMBLY OF THE POWER TROWEL MPT 36 MENEGOTTI ENGINE



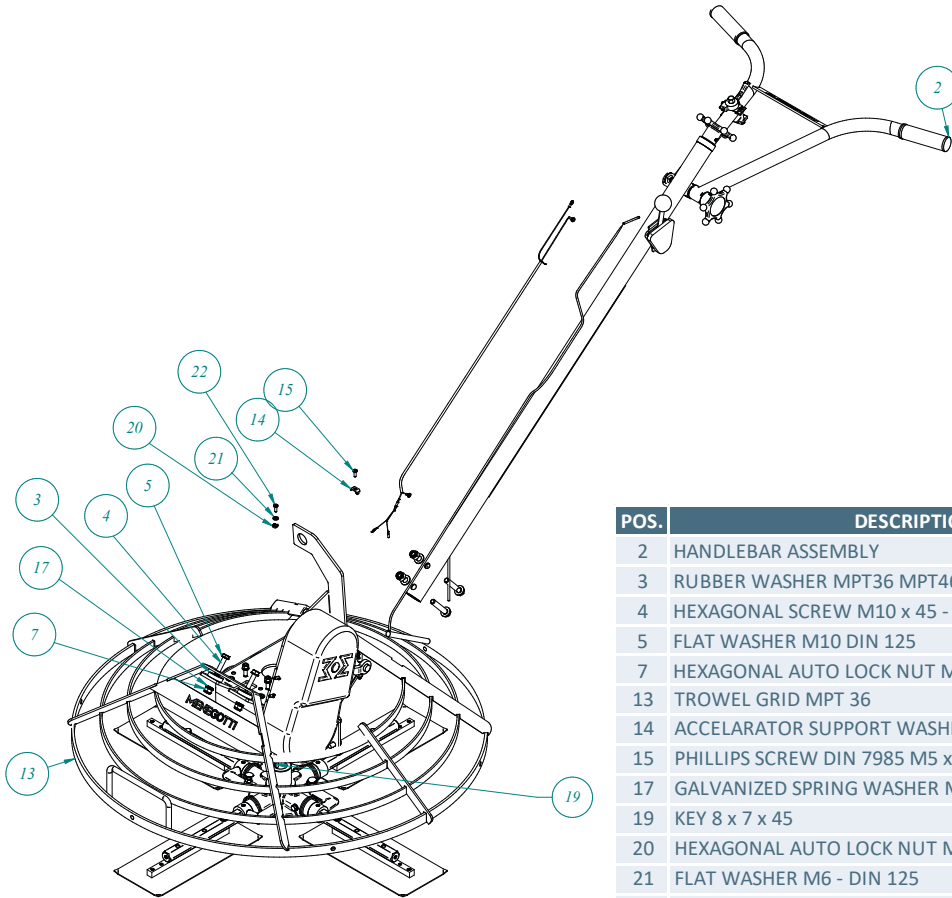
POS.	DESCRIPTION	QTY.	CODE	DRAWING
2	HANDLEBAR ASSEMBLY	1	-	-
3	RUBBER WASHER MPT36 MPT46	4	4162054	4.162.054
4	HEXAGONAL SCREW M10 x 45 - CI 8.8 MA 1,5 DIN 933	4	21013003	S/N
5	FLAT WASHER M10 DIN 125	8	21030676	-
6	HEXAGONAL AUTO LOCK NUT M10	4	21021206	S/N
8	TROWEL GRID MPT 36	1	3162450	3162450
9	ACCELERATOR SUPPORT WASHER	1	85002155	4162061
10	PHILLIPS SCREW DIN 7985 M5 x 20	1	21014954	-
11	GALVANIZED SPRING WASHER M10	4	21030506	-
12	KEY 8 x 7 x 45	1	21120109	-
13	HEXAGONAL SCREW M6X12 DIN 933 8.8 (WITH HOLE)	1	4162060	-
14	FLAT WASHER M6 - DIN 125	1	21030691	-
15	HEXAGONAL AUTO LOCK NUT M6	1	21021126	-

H - GENERAL ASSEMBLY OF THE POWER TROWEL MPT 36 HONDA ENGINE



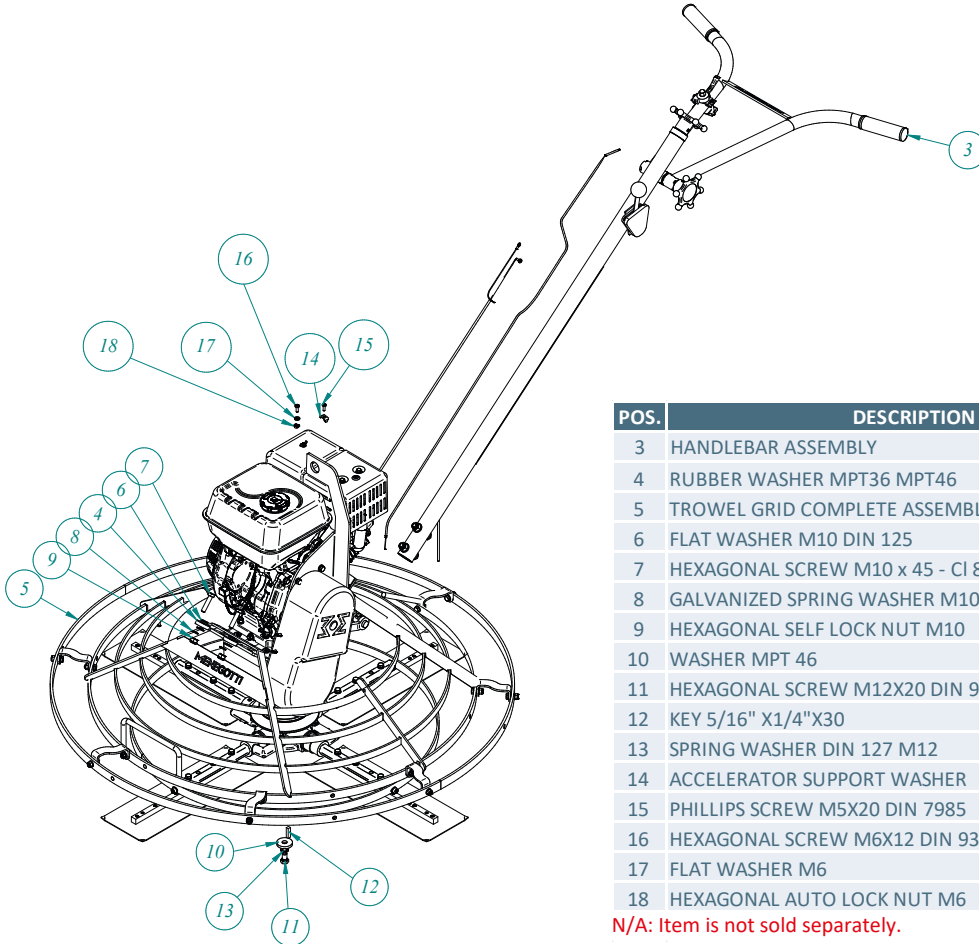
POS.	DESCRIPTION	QTY.	CODE	DRAWING
2	HANDLEBAR ASSEMBLY	1	32162300	2.162.300
3	RUBBER WASHER MPT36 MPT46	4	4162054	4.162.054
4	HEXAGONAL SCREW	4	21013003	S/N
5	FLAT WASHER M10 (10,5x20x2) DIN125 ZB	8	21030676	21030676
7	HEXAGONAL AUTO LOCK NUT M10	4	21021206	S/N
13	TROWEL GRID MPT 36	1	3162450	3162450
14	ACCELERATOR SUPPORT WASHER	1	85002155	4162061
15	PHILLIPS SCREW M5X20 DIN 7985	1	21014954	-
17	GALVANIZED SPRING WASHER M10	4	21030506	-
19	KEY 8 x 7 x 45	1	21130109	21130109
20	HEXAGONAL AUTO LOCK NUT	1	21021126	21021126
21	FLAT WASHER	1	21030691	21030691
22	HEXAGONAL SCREW M6X12 DIN 933 8.8 (WITH HOLE)	1	4162060	4162060

I - GENERAL ASSEMBLY OF THE POWER TROWEL MPT 36 NO ENGINE



POS.	DESCRIPTION	QTY.	CODE	DRAWING
2	HANDLEBAR ASSEMBLY	1	3216300	2162300
3	RUBBER WASHER MPT36 MPT46	4	4162054	4.162.054
4	HEXAGONAL SCREW M10 x 45 - CI 8.8 MA 1,5 DIN 933	4	21013003	S/N
5	FLAT WASHER M10 DIN 125	8	21030676	21030676
7	HEXAGONAL AUTO LOCK NUT M10	4	21021306	S/N
13	TROWEL GRID MPT 36	1	3162450	3162450
14	ACCELERATOR SUPPORT WASHER	1	85002155	4162061
15	PHILLIPS SCREW DIN 7985 M5 x 20	1	21014954	-
17	GALVANIZED SPRING WASHER M10	4	21030506	-
19	KEY 8 x 7 x 45	1	21130109	-
20	HEXAGONAL AUTO LOCK NUT M6	1	21021126	-
21	FLAT WASHER M6 - DIN 125	1	21030691	-
22	HEXAGONAL SCREW M6X12 DIN 933 8.8 (WITH HOLE)	1	4162060	4162060

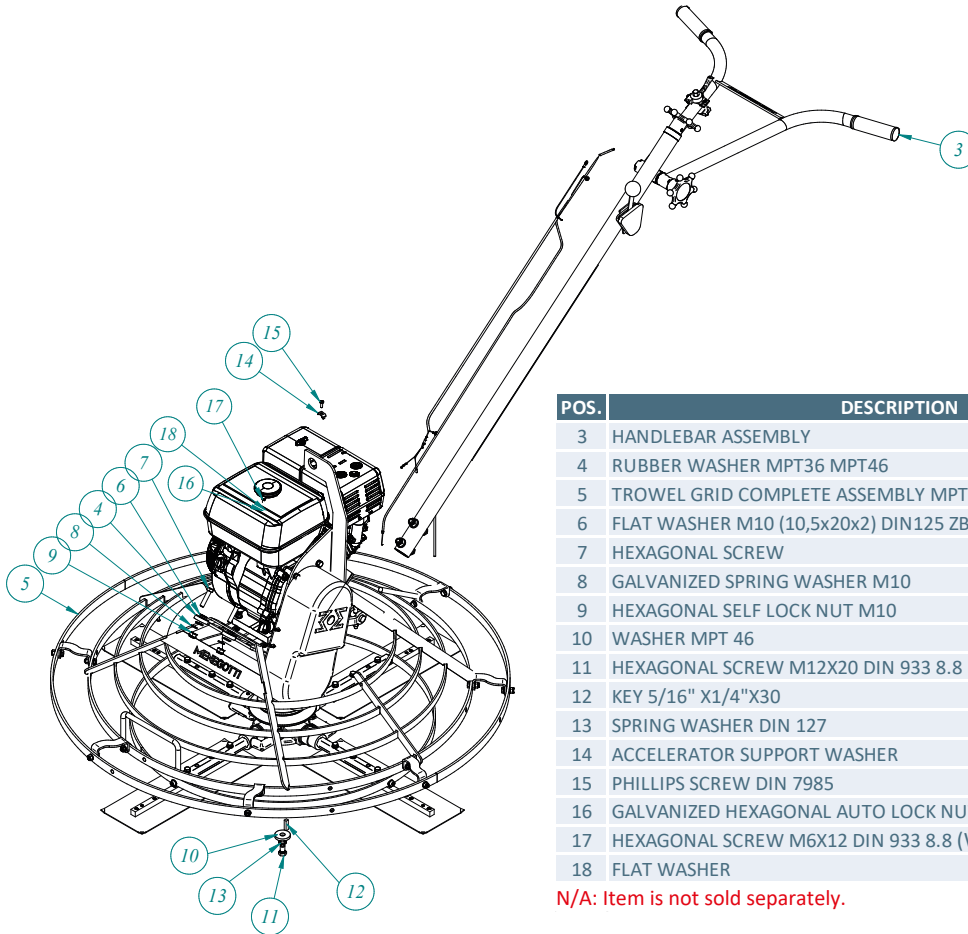
J - GENERAL ASSEMBLY OF THE POWER TROWEL MPT 46 MENEGOTTI ENGINE



POS.	DESCRIPTION	QTY.	CODE	DRAWING
3	HANDLEBAR ASSEMBLY	1	3216300	2162300
4	RUBBER WASHER MPT36 MPT46	4	4162054	4162054
5	TROWEL GRID COMPLETE ASSEMBLY MPT 46	1	N/A	3162851
6	FLAT WASHER M10 DIN 125	8	21030676	-
7	HEXAGONAL SCREW M10 x 45 - CI 8.8 MA 1,5 DIN 933	4	21012876	S/N
8	GALVANIZED SPRING WASHER M10	4	21030506	-
9	HEXAGONAL SELF LOCK NUT M10	4	21021206	S/N
10	WASHER MPT 46	1	85002161	4162881
11	HEXAGONAL SCREW M12X20 DIN 933 8.8	1	21012819	-
12	KEY 5/16" X1/4"X30	1	4122616	4122616
13	SPRING WASHER DIN 127 M12	1	21030407	S/N
14	ACCELERATOR SUPPORT WASHER	1	85002155	4162061
15	PHILLIPS SCREW M5X20 DIN 7985	1	21014954	-
16	HEXAGONAL SCREW M6X12 DIN 933 8.8 (WITH HOLE)	1	4162060	4162060
17	FLAT WASHER M6	1	21030691	-
18	HEXAGONAL AUTO LOCK NUT M6	1	21021126	-

N/A: Item is not sold separately.

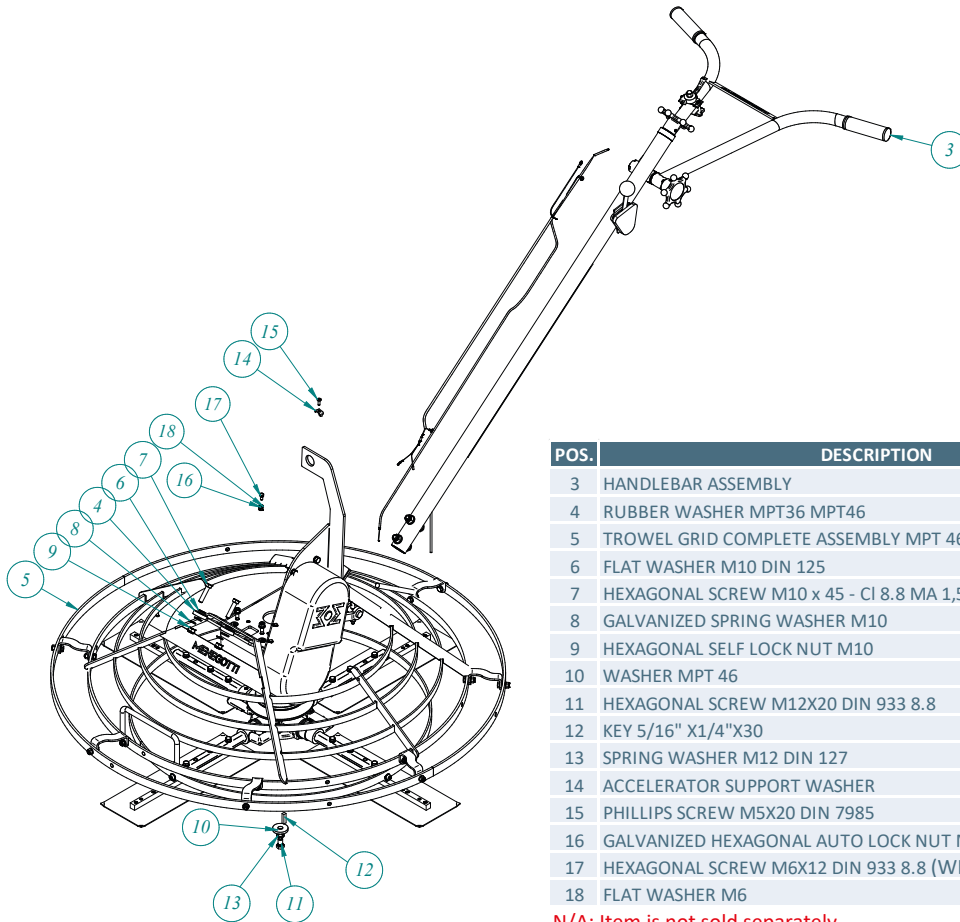
K - GENERAL ASSEMBLY OF THE POWER TROWEL MPT 46 HONDA ENGINE



POS.	DESCRIPTION	QTY.	CODE	DRAWING
3	HANDLEBAR ASSEMBLY	1	29121619	2162300
4	RUBBER WASHER MPT36 MPT46	4	4162054	4162054
5	TROWEL GRID COMPLETE ASSEMBLY MPT 46	1	N/A	3162851
6	FLAT WASHER M10 (10,5x20x2) DIN125 ZB	8	21030676	-
7	HEXAGONAL SCREW	4	21013003	S/N
8	GALVANIZED SPRING WASHER M10	4	21030506	-
9	HEXAGONAL SELF LOCK NUT M10	4	21021206	S/N
10	WASHER MPT 46	1	85002161	4162881
11	HEXAGONAL SCREW M12X20 DIN 933 8.8	1	21012819	-
12	KEY 5/16" X1/4"X30	1	4122616	4122616
13	SPRING WASHER DIN 127	1	21060407	S/N
14	ACCELERATOR SUPPORT WASHER	1	85002155	4162061
15	PHILLIPS SCREW DIN 7985	1	21014954	-
16	GALVANIZED HEXAGONAL AUTO LOCK NUT	1	21021126	-
17	HEXAGONAL SCREW M6X12 DIN 933 8.8 (WITH HOLE)	1	4162060	4162060
18	FLAT WASHER	1	21030691	-

N/A: Item is not sold separately.

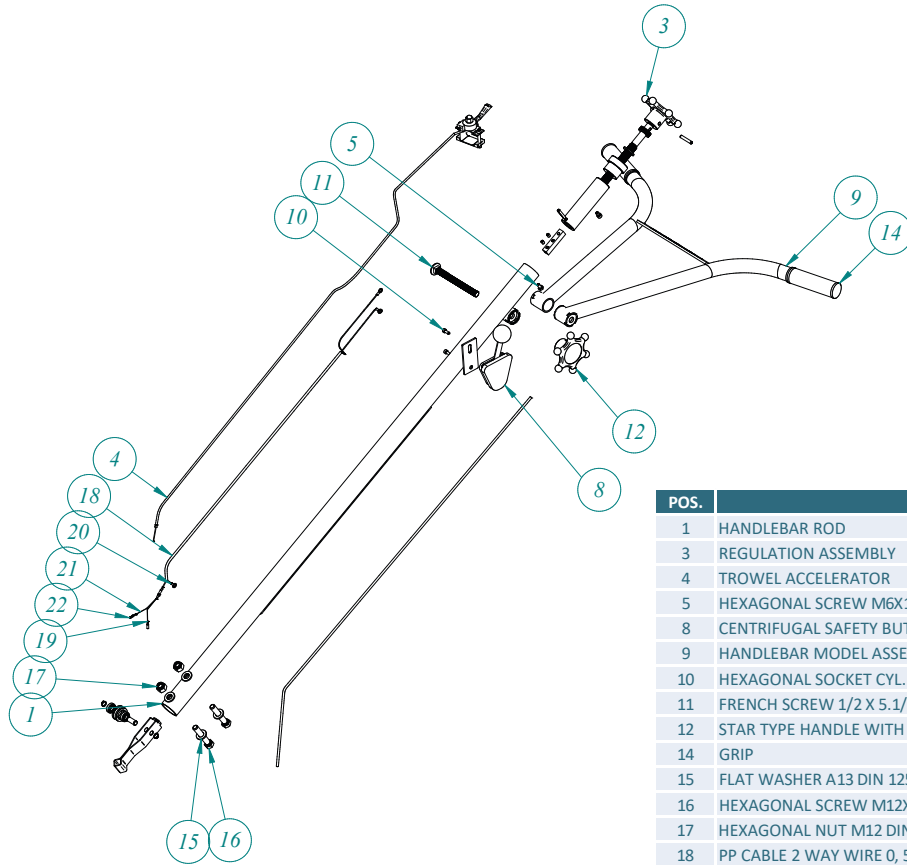
L - GENERAL ASSEMBLY OF THE POWER TROWEL MPT 46 NO ENGINE



POS.	DESCRIPTION	QTY.	CODE	DRAWING
3	HANDLEBAR ASSEMBLY	1	29121619	2162300
4	RUBBER WASHER MPT36 MPT46	4	4162054	4162054
5	TROWEL GRID COMPLETE ASSEMBLY MPT 46	1	N/A	3162851
6	FLAT WASHER M10 DIN 125	8	21030676	-
7	HEXAGONAL SCREW M10 x 45 - CI 8.8 MA 1,5 DIN 933	4	21012876	S/N
8	GALVANIZED SPRING WASHER M10	4	21030506	-
9	HEXAGONAL SELF LOCK NUT M10	4	21021206	S/N
10	WASHER MPT 46	1	85002161	4162881
11	HEXAGONAL SCREW M12X20 DIN 933 8.8	1	21012819	-
12	KEY 5/16" X1/4"X30	1	4122616	4122616
13	SPRING WASHER M12 DIN 127	1	21030407	S/N
14	ACCELERATOR SUPPORT WASHER	1	85002155	4162061
15	PHILLIPS SCREW M5X20 DIN 7985	1	21014954	-
16	GALVANIZED HEXAGONAL AUTO LOCK NUT M6	1	21021126	-
17	HEXAGONAL SCREW M6X12 DIN 933 8.8 (WITH HOLE)	1	4162060	4162060
18	FLAT WASHER M6	1	21030691	-

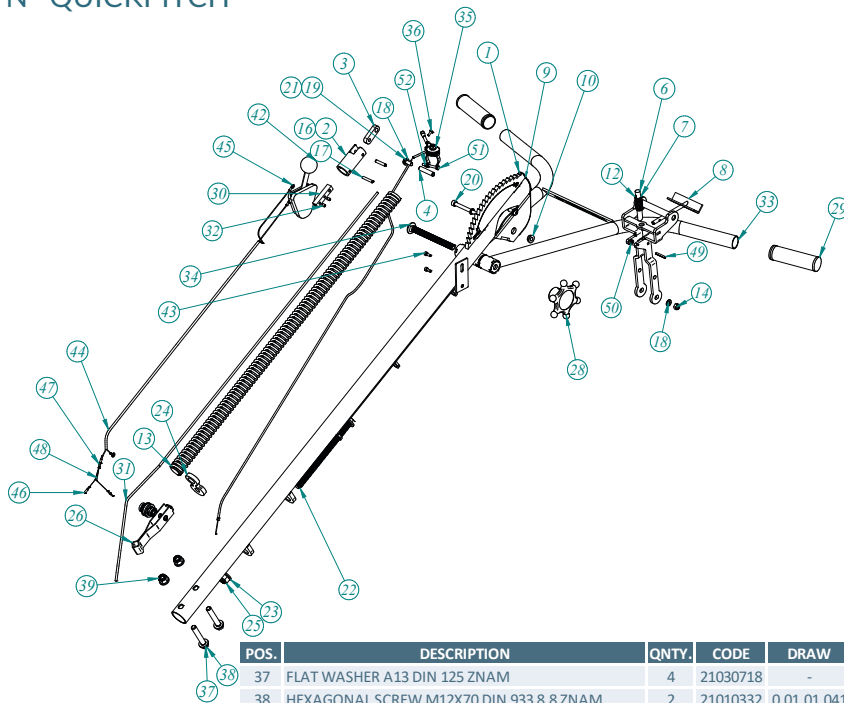
N/A: Item is not sold separately.

M - HANDLEBAR



POS.	DESCRIPTION	QNTY.	CODE	DRAW
1	HANDLEBAR ROD	1	3162310	3162310
3	REGULATION ASSEMBLY	1	-	3162340
4	TROWEL ACCELERATOR	1	29121619	29112874
5	HEXAGONAL SCREW M6X12 DIN 933 8.8 ZNAM	1	21012930	0.01.01.044
8	CENTRIFUGAL SAFETY BUTTON	1	29121629	4162800
9	HANDLEBAR MODEL ASSEMBLY	1	3162630	3162630
10	HEXAGONAL SOCKET CYL. HEAD SCREW - M5 x 12	2	21012989	-
11	FRENCH SCREW 1/2 X 5.1/2 BSW	1	21011417	-
12	STAR TYPE HANDLE WITH THREAD	1	4162392	4162392
14	GRIP	2	24070171	4.122.390
15	FLAT WASHER A13 DIN 125 ZNAM	4	21030718	21030718
16	HEXAGONAL SCREW M12X70 DIN 933 8.8 ZNAM	2	21010332	-
17	HEXAGONAL NUT M12 DIN 982 10	2	21021218	-
18	PP CABLE 2 WAY WIRE 0, 50mm2 (BLACK AND RED)	1	26010146	-
19	BLUE SNAP-PLUG FEMALE TERMINAL 1, 5-2, 5mm M4	2	26080302	-
20	BLUE EYEBOLT TERMINAL M6 WIRE 2,5mm	3	26080310	-
21	SINGLE CONDUCTOR POWER CABLE 0, 50mm2 (BLACK)	1	26010102	-
22	BLUE SNAP-PLUG MALE TERMINAL 1, 5-2, 5mm M4	2	26080303	-

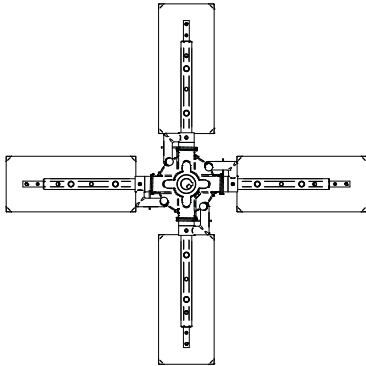
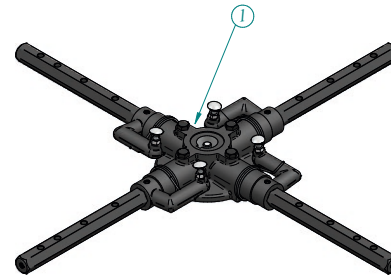
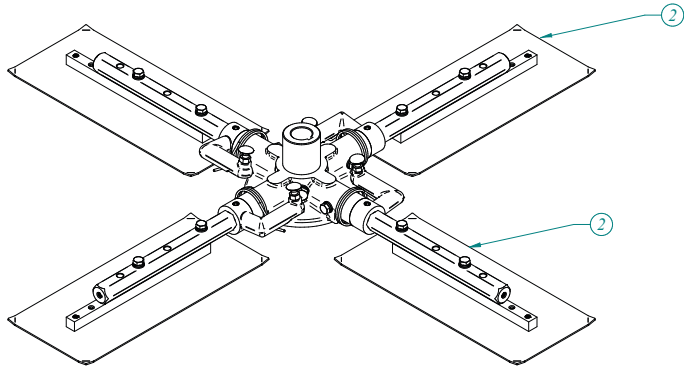
N - QUICKPITCH



POS.	DESCRIPTION	QNTY.	CODE	DRAW
37	FLAT WASHER A13 DIN 125 ZNAM	4	21030718	-
38	HEXAGONAL SCREW M12X70 DIN 933 8.8 ZNAM	2	21010332	0.01.01.041
39	HEXAGONAL NUT M12 x 1,75	2	21021207	-
42	CENTRIFUGAL SAFETY BUTTON	1	29121629	4162800
43	HEXAGONAL SOCKET CYL. HEAD SCREW M5x12	2	21012989	-
44	PP CABLE 2 WAY WIRE 0,50mm2 (BLACK AND RED)	1	26010146	-
45	RED EYEBOLT TERMINAL M6 WIRE 1,5mm	3	26080151	-
46	RED SNAP-PLUG FEMALE TERMINAL 1, 5-2 5mm M4	2	26080302	-
47	RED SNAP-PLUG MALE TERMINAL 1, 5-2 5mm M4	2	26080303	-
48	SINGLE CONDUCTOR POWER CABLE 0, 50mm2	1	26010102	-
49	ELASTIC PIN	1	21040230	-
50	NYLON BUSHING	2	-	4162910
51	PHILLIPS SCREW M5x40	1	21011202	-
52	SELF-LOCKING SEXT. NUT M5	1	21021217	-

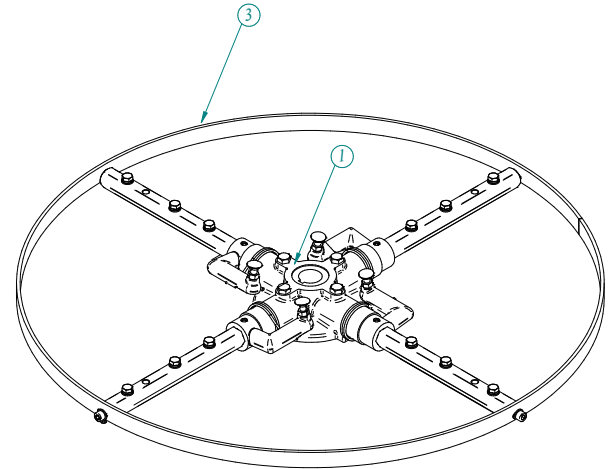
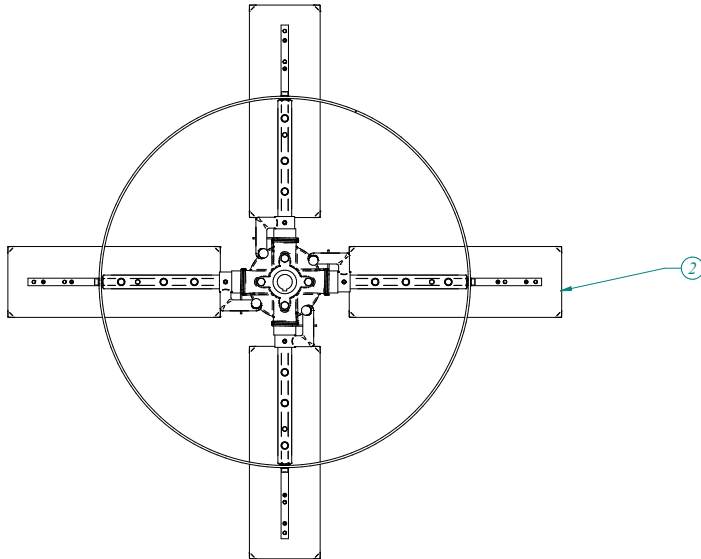
POS.	DESCRIPTION	QNTY.	CODE	DRAWING
-	QUICKPITCH ASSEMBLY	1	31162600	1162600
1	ROD ASSEMBLY	1	2162663	2162663
2	COUPLING FOR STEEL CABLE	1	3162628	3162628
3	BETWEEN SUPPORTS	1	-	3162627
4	HANDLE CENTER KNOB	1	3162621	3162621
5	SUPPORT PIN	1	3162629	3162629
6	GEAR LOCK	1	4162644	4162644
7	WELDED LEVER ASSEMBLY	1	3162660	3162660
8	KIT WELD LOCK COUPLING	1	3162661	3162661
9	CLOSURE PLATE	1	3162608	3162608
10	BRASS BUSHING	2	3162607	3162607
12	COMPRESSION SPRING	1	4162646	4162646
13	HELICOIDAL SPRING	1	3162668	3162668
14	AUTO LOCK NUT M8	2	21021205	-
15	HEXAGONAL NUT M8 DIN934 ZB	1	21021105	21021105
16	ELASTIC PIN 6X32	1	29110179	S/N
17	ELASTIC PIN 5X32	1	21040112	-
18	FLAT WASHER M8 DIN125	4	21030702	-
19	LOCK WASHER M08	3	21030505	S/N
20	HEXAGONAL SCREW INT. M8 x 70	1	21011612	-
21	HEXAGONAL HEAD SCREW M8 x 20	2	21012997	-
22	HEXAGONAL SCREW M16X210 DIN 933 8.8 ZNAM	1	21012850	-
23	FLAT WASHER M16	2	21030679	S/N
24	PINK GUIDE BEARING	1	-	3162638
25	HEXAGONAL NUT BX M16 C.5 DIN985 ZB	1	21021209	21021209
26	CABLE GUIDE ASSEMBLY	1	-	4162348
28	STAR KNOB	1	4162392	4162392
29	PLASTIC HANDLE	2	24070171	4.122.390
30	UPPER TERMINAL BODY	1	4162345	4162345
31	STEEL CABLE	1	3162660	3162660
32	HEXAGONAL FLAT SCREW M6 x 08	2	21010935	-
33	MODEL HANDLEBAR ASSEMBLY	1	3162630	3162630
34	SCREW FRENCH 1/2 X 5.1/2 BSW	1	21011417	-
35	TROWEL ACCELERATOR	1	29121619	-
36	HEXAGONAL SOCKET HEAD SCREW M6x12	2	21012993	-

O - CROSSARM MPT 36



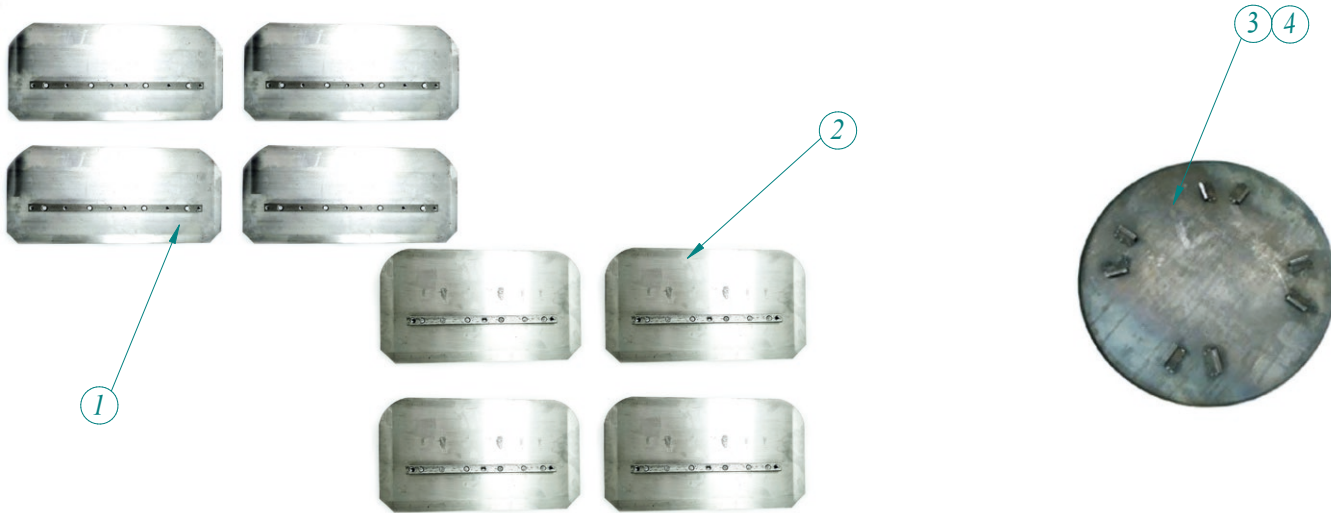
POS.	DESCRIPTION	QNTY.	CODE	DRAW
1	CROSSARM ASSEMBLY MPT 36	1	3162110	3162110
2	KIT TROWEL BLADE (4 BLADES) MPT 36	1	29121620	-
	KIT TROWEL BLADE (4 BLADES) 5/16" MPT 36	1	29118722	-

P- CROSSARM MPT 46



POS.	DESCRIPTION	QNTY.	CODE	DRAW
1	CROSSARM ASSEMBLY MPT 46	1	3162894	3162894
2	KIT TROWEL BLADE (4 BLADES) MPT 46	1	29121621	-
	KIT TROWEL BLADE (4 BLADES) 5/16" MPT 46	1	29118723	-
3	LOWER ARC OF THE BLADE GUARD MPT 46	1	-	4.162.806

Q- ACCESSORIES MPT 36 | MPT 46



POS.	DESCRIPTION	QNTY.	CODE	DRAW
1	Kit Trowel Blade Combined MPT 36 V2 350x 200x1,8mm (4 Units)	1	29121605	-
2	Kit Trowel Blade Combined MPT 46 V2 450x 200x1,8mm (4 Units)	1	29121604	-
3	Flotation Disc Power Trowel MPT36	1	29113084	-
4	Flotation Disc Power Trowel MPT46	1	29111368	-


Menegotti
GROUP
Solid values, *sustainable future.*

REV. 08 | OCTOBER/2024

MENEGOTTI
HANDLING



Unit • Unidad Menmaq
Erwino Menegotti, 381 - Água Verde
Jaraguá do Sul - SC - 89254-000

MENEGOTTI
CONSTRUCTION



Unit • Unidad Mentec
José Theodoro Ribeiro, 2399 - Ilha da Figueira
Jaraguá do Sul - SC - 89258-468

MENEGOTTI
HOUSE & GARDEN



Unit • Unidad Menfer
Saúde, 186 - Seminário
Corupá - SC - 89278-000



Unit • Unidad MNA
248 E Crogan St STE 301 - Lawrenceville - GA
30046 - United States

grupomenegotti.com